

---

# XY-218S

---

XY Series  
Dual 18" Bass reflex subwoofer

User's Manual



---

---

# Contents

## 01 Introduction

Before you start.....	3
Installation guidelines.....	4
Features.....	4

## 02 Product overview

Product overview.....	5
-----------------------	---

## 03 System set-up

Ground stacking.....	6
Cabling and amplifier selection.....	6
Cabling.....	6
Speaker protection and Processor setting.....	6
Attachment of the CP-XYCS1 Castor Set.....	6

## 04 Connections

Internal connection diagram.....	7
----------------------------------	---

## 05 Additional information

Dimensions.....	8
About trademarks and registered trademarks.....	9
Specifications.....	9

# Introduction

## WARNING

- This loudspeaker must be installed by a qualified technician as it involves such tasks as selecting a location for installation, drilling holes in walls/ceiling and wiring. Have the installer carefully follow the installation instructions.
- Certain technical skills are required to install the loudspeaker. Please have the product installed by a professional.
- AlphaTheta Corporation is not responsible for any loss or damage that results from improper installation, insufficient strength of installation materials, misuse, modification or natural disasters.

Thank you for buying this product. Please read through these operating instructions so you will know how to operate your model properly. After you have finished reading the instructions, put them away in a safe place for future reference.

## Before you start

- Make sure to use amplifiers with rated load impedances that match the speaker impedance for the amplifiers connected to each loudspeaker.
  - Furthermore, any devices or objects easily affected by magnetism (floppy disks, magnetic cards, magnetic tape etc.) should be kept well away from the speakers.
- In order to prevent damage to the loudspeaker resulting from input overload, please observe the following precautions:
- If you supply amplification power to the loudspeaker excessively, the speaker could be damaged and overheating could cause a hazard.
  - Only connect, turn ON or OFF the audio system or any one part (such as DJ player and Mixer) when the power to the amplifier is turned off. If any operations are performed while the amplifier is turned on, there is the possibility of damaging the treble frequency speaker unit.
  - When using a graphic equaliser to emphasise loud sounds in the high-frequency range, do not use excessive amplifier volume.
  - Do not try to force a low-powered amplifier to produce high sound levels as the amplifier's harmonic distortion will be increased, and you may damage the speaker.

## Caution: installation

- Ensure that the floor or stage surface can withstand the weight of the system.
- The installation technician must follow professional installation techniques to protect the loudspeaker against falling.
- Improper installation of the speakers could cause them to fall and cause damage or injuries to persons nearby.
- Do not attempt to stack devices together for use other than specified systems. Such devices may become unstable and tip over or fall, leading to injury. Make sure to secure each device in place using the specified fixing hardware or other hardware to prevent them from tipping over or falling when stacking devices together. AlphaTheta Corporation shall accept no liability for damage or injury caused by accidents resulting from AlphaTheta Corporation products tipping over or falling due to them being insufficiently secured.
- Switch off and unplug your power amplifier and consult the instructions when connecting up components. Make sure you use the correct connecting cables.
- Keep magnetic objects such as screwdrivers or steel parts away from the woofer speakers. Since the speakers use strong magnets, the objects may be attracted, causing injury or damaging the diaphragm.
- Do not install the loudspeaker in areas exposed to direct sunlight or near heating appliances. Such conditions may result in shrinkage of the wood materials and finish, leading to deformation of the enclosure, discolouration, or damage to the speakers. Conditions considered unpleasant by humans are detrimental to speakers as well. Providing a comfortable environment for the speakers will assist them in demonstrating their best performance. Please maintain the usage environment as follows:
 

Temperature:	15 °C to 25 °C (59 °F to 77 °F)
Relative Humidity:	35 % to 65 % (winter)
	40 % to 70 % (summer)
- Do not store speakers at temperatures outside of the rated temperature range as doing so may cause the speaker to drop in performance or become damaged. Storage temperature range: -20 °C to +55 °C (-4 °F to +131 °F)
- Do not use the product in locations subject to extreme fluctuations in temperature. Doing so could cause the product to malfunction.
- When using room air-conditioners or stoves to rapidly cool or heat room spaces, take precautions to avoid excessive dehumidification.
- Avoid placing the speaker near areas such as windows, as outside air can cause condensation to occur within the speaker.
- This loudspeaker is designed for indoor use only. To avoid electric shock hazard, do not place them outside, or in an overly humid area.

## Caution: in use

- Do not use the speaker to output distorted sound for long periods of times. This can result in a fire hazard.
- Please also remember that vibrations from subwoofer systems can shake other loudspeakers out of place, which may present a toppling hazard.
- Do not attempt to use the product with the XY-218S grille detached as doing so could result in damage to the product. Consult a qualified professional for assistance with removing the grille for maintenance purposes.

## For Europe



If you want to dispose of this product, do not mix it with general household waste. There is a separate collection system for used electronic products in accordance with legislation that requires proper treatment, recovery and recycling.

Private households in the member states of the EU, in Switzerland and Norway may return their used electronic products free of charge to designated collection facilities or to a retailer (if you purchase a similar new one).

For countries not mentioned above, please contact your local authorities for the correct method of disposal.

By doing so you will ensure that your disposed product undergoes the necessary treatment, recovery and recycling and thus prevent potential negative effects on the environment and human health.

K058b\_A1\_Engb

## For U.S.A.

**WARNING:** This product contains chemicals known to the State of California and other governmental entities to cause cancer and birth defects or other reproductive harm.

**Wash hands after handling.**

D36-P5\_C1\_En

## The Safety of Your Ears is in Your Hands

Get the most out of your equipment by playing it at a safe level – a level that lets the sound come through clearly without annoying blaring or distortion and, most importantly, without affecting your sensitive hearing. Sound can be deceiving. Over time, your hearing “comfort level” adapts to higher volumes of sound, so what sounds “normal” can actually be loud and harmful to your hearing. Guard against this by setting your equipment at a safe level BEFORE your hearing adapts.

### ESTABLISH A SAFE LEVEL:

- Set your volume control at a low setting.
- Slowly increase the sound until you can hear it comfortably and clearly, without distortion.
- Once you have established a comfortable sound level, set the dial and leave it there.

### BE SURE TO OBSERVE THE FOLLOWING GUIDELINES:

- Do not turn up the volume so high that you can't hear what's around you.
- Use caution or temporarily discontinue use in potentially hazardous situations.
- Do not use headphones while operating a motorised vehicle; the use of headphones may create a traffic hazard and is illegal in many areas.

S001a\_A1\_Engb

---

---

## Installation guidelines

### WARNING

- This loudspeaker must be installed by a qualified technician as it involves such tasks as selecting a location for installation, drilling holes in walls/ceiling and wiring. Have the installer carefully follow the installation instructions.
- Certain technical skills are required to install the loudspeaker. Please have the product installed by a professional.
- AlphaTheta Corporation is not responsible for any loss or damage that results from improper installation, insufficient strength of installation materials, misuse, modification or natural disasters.

### WARNING

- Ensure that the floor or stage surface in question can withstand the weight of the system. Consult a qualified professional for advice if the strength of the surface is unknown.
- Check to make sure that any mounting hardware used is enough to support the system, when using commercially available hardware. Make sure to read the Introduction section in this manual and the instruction manual for the mounting hardware thoroughly before proceeding. Be careful not to place any devices or other equipment on top of the system as such devices could fall, causing severe injury.
- After installation, you must confirm that the speakers are safely installed. You must also periodically check them to make sure that they are still safe.
- Make sure to use mounting hardware of sufficient strength to secure the speaker in place. The speaker could fall, causing accidents, if not properly secured.
- When this product is placed in an elevated place such as on a stage, a speaker may be moved by vibrations and fall to the floor, causing an injury or accident. Take measures to prevent a speaker from sliding off a stage, etc.
- Ensure that the floor or stage surface can withstand the weight of the system.
- Wherever possible, avoid high stacks and use ratchet straps to secure loudspeakers together. Please also remember that vibrations from subwoofer systems can shake other loudspeakers out of place, which may present a toppling hazard. The use of ratchet straps and non-slip material is recommended to prevent this.

---

---

## Features

- High-power subwoofer with two 18", low-frequency drivers.
- High-response deep bass as low as 32 Hz is delivered to reproduce a tight and punchy kick.
- Two drivers efficiently generate air vibration to boost radiation efficiency.
- NL4 INPUT and LINK OUT connections as standard.
- Robust enclosure made from premium multi-laminate birch plywood.

---

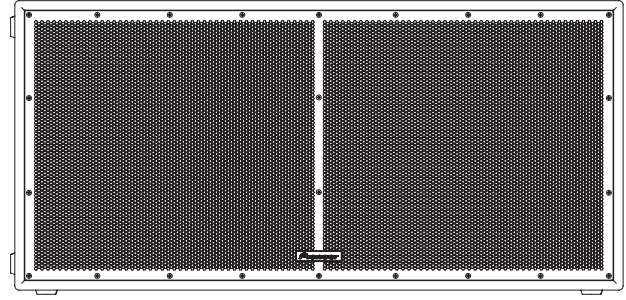
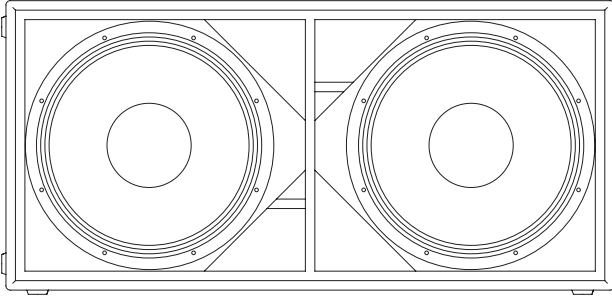
---

# Product overview

---

---

## Product overview



The XY-218S is a very powerful subwoofer product designed for a wide variety of sound reinforcement applications. It features a pair of high-power 18" (460 mm) LF drive unit in an optimally tuned reflex enclosure, resulting in a response which is swift and punchy, whilst still retaining usable low frequency extension.

The XY-218S is suited to a wide variety of professional audio applications, from medium/large scale front of house use to nightclub use.

The XY-218S is fitted with two Neutrik SpeakON™ NL4 connectors.

---

---

# System set-up

## WARNING

- Loudspeaker systems are potentially dangerous objects if used incorrectly. Please ensure that you read this section fully, and contact your local dealer should you be in any doubt over correct operation procedures.
- Professional loudspeaker systems are capable of producing damage-inducing sound pressure levels, and hence care should be taken when setting your system up, particularly when it comes to loudspeaker placement within a venue. Damage to the ear can result from levels above 90 dB under prolonged exposure.

---

---

## Ground stacking

- Ensure that the floor or stage surface can withstand the weight of the system.
- Wherever possible, avoid high stacks and use ratchet straps to secure loudspeakers together. Please also remember that vibrations from subwoofer systems can shake other loudspeakers out of place, which may present a toppling hazard. The use of ratchet straps and non-slip material is recommended to prevent this.

---

---

## Cabling and amplifier selection

The XY-218S is designed to be used with professional power amplifiers providing the following power outputs:

- 3200 W/channel into 4 Ω

## NOTE

A small power amplifier working too hard is more likely to damage a loudspeaker than a large power amplifier working within its operating range.

It is good practice to use an amplifier equal to the program power rating of the loudspeaker — so as to retain sufficient headroom and good dynamic range. Care should be taken during operation to avoid amplifier clipping — as this can cause serious damage to your loudspeakers. If in doubt, please contact your dealer who will be happy to assist you in correct amplifier choice and setup.

---

---

## Cabling

The XY-218S is supplied as standard with Neutrik SpeakON™ NL4 connectors, wired pin 1+/1-. It is recommended that the resistance of your cable be less than one tenth of the nominal system impedance. Given below are the recommended maximum cable lengths for different cross-sections and impedances.

Conductor cross sectional area	Maximum recommended cable length		
	4 Ω	8 Ω	16 Ω
1.0 mm <sup>2</sup>	11 m	22 m	44 m
1.5 mm <sup>2</sup>	17 m	34 m	68 m
2.0 mm <sup>2</sup>	22 m	44 m	88 m
2.5 mm <sup>2</sup>	29 m	58 m	116 m
4.0 mm <sup>2</sup>	44 m	88 m	176 m
6.0 mm <sup>2</sup>	66 m	132 m	264 m

- Pins 2+ /2- on the Neutrik SpeakON™ connectors are wired together to allow link-through with 4-core cables.

---

---

## Speaker protection and Processor setting

## WARNING

The XY-218S requires at the minimum an active low pass filter to function correctly. Excessive low frequency information will cause the LF drive unit's excursion to increase, which can result in damage to your loudspeaker.

It is recommended to appropriately set the values of crossover frequency and peak limiter on the amplifier for loudspeaker protection.

Please refer to the PDF file in the "Installation Manual" and "Processor Settings" of the following webpage for the recommended values of crossover frequency and peak limiter to appropriately use this product.

<http://pioneerproaudio.com/ja/resources.html>

---

---

## Attachment of the CP-XYCS1 Castor Set

Attach the dedicated castors to the four mounting holes on the rear.

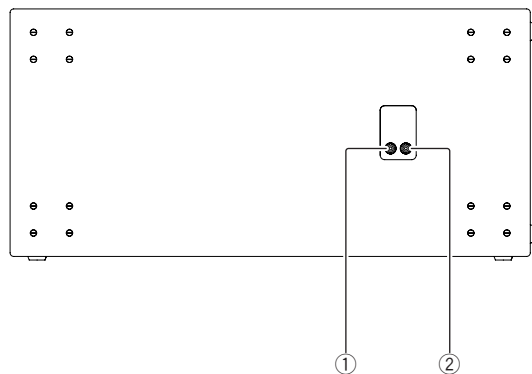
## NOTE

We will not be liable if you use any castors other than the dedicated ones.

# Connections

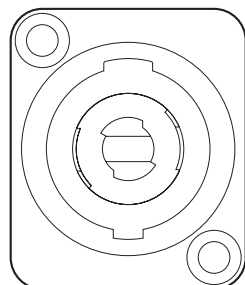
- The INPUT and LINK connectors used are Neutrik SpeakON™ NL4 connectors.
- Refer to the internal connection diagram and make the appropriate connections as shown.

XY-218S  
Rear view

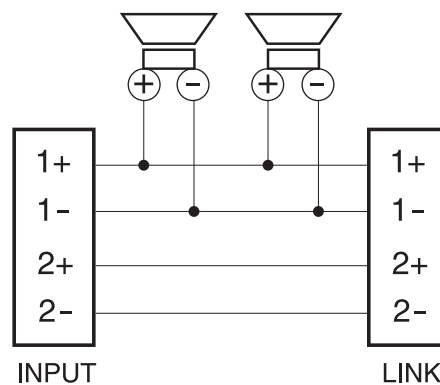


- ① **INPUT connector**
- ② **LINK connector**

Neutrik  
NL4 Connector



## Internal connection diagram



---

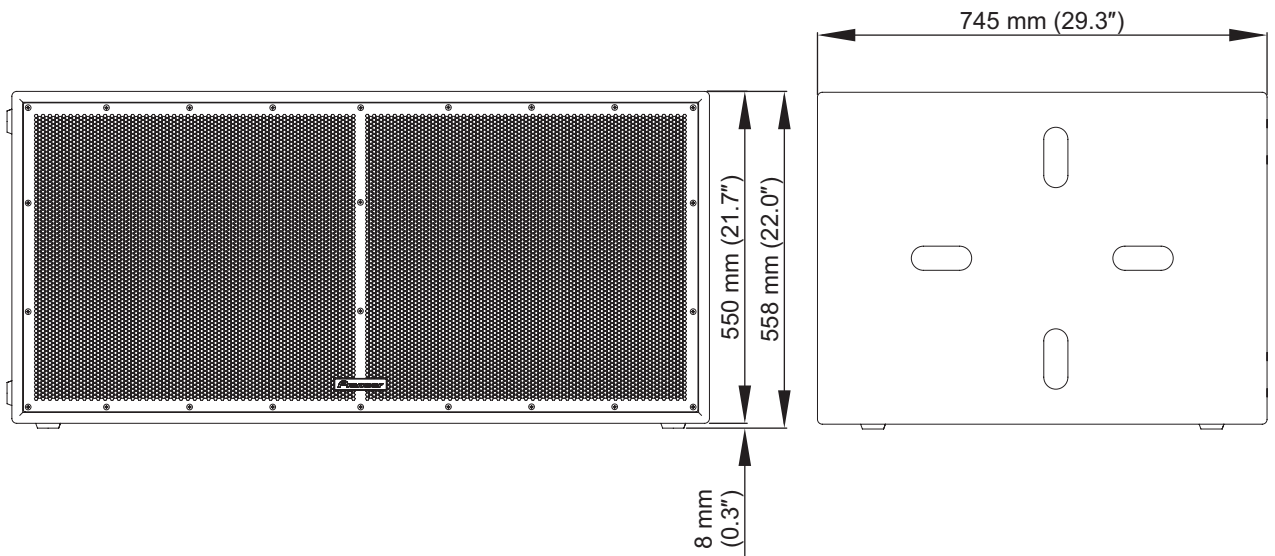
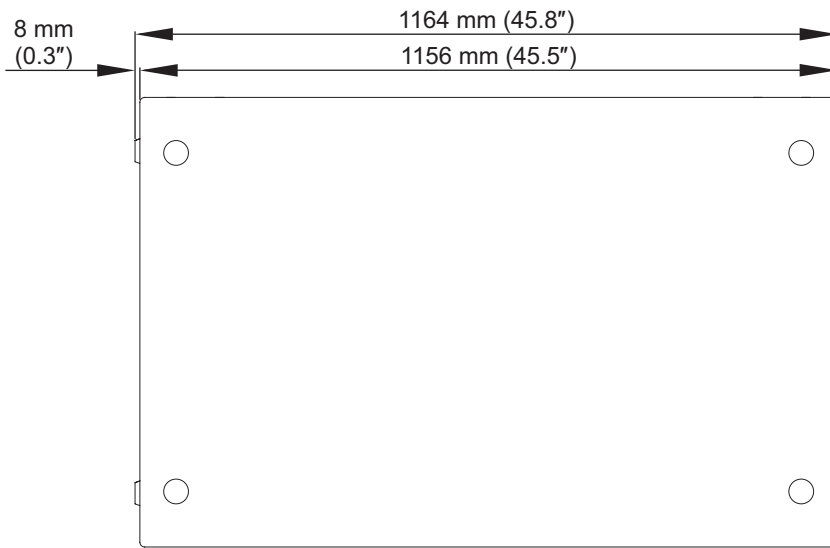
---

# Additional information

---

---

## Dimensions





---

---

## About trademarks and registered trademarks

- Pioneer is a registered trademark of PIONEER CORPORATION.
- SpeakON is a registered trademark of Neutrik.

The names of companies and products mentioned herein are the trademarks of their respective owners.

---

---

## Specifications

Loudspeaker Type	Dual driver, reflex-loaded subwoofer
Frequency Response	32 Hz – 150 Hz
Sensitivity (1 W/1 m)	102 dB (half space)
Nominal Impedance	4 $\Omega$
Power Handling	1600 W RMS, 3200 W Program
Dispersion	—
Maximum SPL	134 dB cont., 140 dB peak (half space)
Driver Configuration	2 $\times$ 18" (460 mm) LF cone drivers
Crossover	—
Connectors	2 $\times$ Neutrik SpeakON™ NL4
Dimensions (W $\times$ H $\times$ D)	1164 mm $\times$ 558 mm $\times$ 745 mm / 45.8" $\times$ 22.0" $\times$ 29.3"
Weight	93.0 kg / 205.0 lbs.
Rigging and Hardware	8 $\times$ flush handles (4 left/4 right), 8 $\times$ rubber feet (bottom and left) and 4 $\times$ mating recesses (top), 16 $\times$ M8 holes with pre-inserted bolts for 4 $\times$ castors on rear
Grille	Hex punched steel
Enclosure	18 mm (0.7") birch plywood
Finish	Impact-resistant textured paint, XY-218S: Black, XY-218S-W: White

The specifications and design of this product are subject to change without notice.

© 2014 AlphaTheta Corporation. All rights reserved.

---

**AlphaTheta Corporation**

6F, Yokohama i-Mark Place, 4-4-5 Minatomirai, Nishi-ku, Yokohama, Kanagawa 220-0012 JAPAN

**AlphaTheta 株式会社**

〒220-0012 神奈川県横浜市西区みなとみらい4丁目4番5号 横浜アイマークプレイス6階

**Корпорация АльфаТета**

6F, Йокогама i-Mark Place, 4-4-5 Минатомирай, Ниси-ку, Йокогама, Канагава 220-0012 ЯПОНИЯ

**AlphaTheta EMEA Limited**

Artemis Building, Odyssey Business Park, West End Road, South Ruislip, Middlesex, HA4 6QE, U.K. TEL: +44-203-7617-220

**AlphaTheta Music Americas, Inc.**

2050 W. 190th Street, Suite 109, Torrance, CA 90504, U.S.A. TEL: +1 (424) 488-0480

AT\_001\_all\_01

<DRB1731-E>