

CM Series

CM-C56T-W

CM-C56T-K

CM-C54T-W

CM-C54T-K

Ceiling Loudspeaker
Haut-parleur de plafond
Потолочный динамик
Altifalante de Teto
Deckenlautsprecher
Diffusori a soffitto
Plafondluidspreker
Altavoz de techo
吸頂式揚聲器
天井埋込用スピーカー

<http://pioneerproaudio.com>

The Pioneer DJ support site shown above offers FAQs, information on software and various other types of information and services to allow you to use your product in greater comfort.

Le site de support DJ de Pioneer indiqué ci-dessus propose une FAQ, des informations sur le logiciel et divers types d'informations et de services qui permettent une utilisation plus confortable de ce produit.

На указанном выше сайте поддержки Pioneer DJ содержатся раздел часто задаваемых вопросов, информация по программному обеспечению, а также различные другие типы информации и услуг, позволяющие использовать ваше изделие наиболее эффективно образом.

O site de suporte da Pioneer DJ mostrado acima oferece FAQs, informações sobre o software e outros tipos de informações e serviços para permitir utilizar o produto com um maior conforto.

Die oben gezeigte Pioneer DJ-Support-Website enthält häufig gestellte Fragen, Informationen über Software und andere wichtige Informationen und Dienste, die Ihnen helfen, Ihr Produkt optimal zu verwenden.

Il sito di supporto DJ Pioneer indicato qui sopra offre una sezione FAQ, informazioni sul software ed informazioni e servizi di vario tipo, per permettere un uso più confortevole dei nostri prodotti.

De bovengenoemde Pioneer DJ ondersteuningswebsite biedt een overzicht van de vaak gestelde vragen, informatie over software en allerlei andere soorten informatie en diensten die u in staat stellen dit product met meer gemak te gebruiken.

El sitio de asistencia Pioneer DJ mostrado arriba ofrece las preguntas frecuentes, información del software y varios otros tipos de información y servicios que le permitirán usar su producto con mayor confort.

上方顯示的先鋒DJ支援網站提供FAQ、軟體資訊及各式其他類型的資訊與服務，可讓您更方便的使用產品。

上記のPioneer DJサポートサイトでは、困ったときのよくある質問やソフトウェアの情報など、より快適に製品をお使いいただくための各種情報やサービスを提供しております。

Installation and Operating Instructions

Instructions d'installation et d'utilisation

Руководство по установке и эксплуатации

Instruções de Instalação e Utilização

Installations- und Bedienungsanleitung

Istruzioni di installazione e di funzionamento

Instructies voor installatie en gebruik

Instrucciones de instalación y uso

安裝及操作說明

据付・取扱説明書

「据付工事」について



●本機は十分な技術・技能を有する専門業者が据え付けを行うことを前提に販売されているものです。据え付け・取り付けは必ず工事専門業者または販売店にご依頼ください。



●なお、据え付け・取り付けの不備、誤使用、改造、天災などによる事故損傷については、弊社は一切責任を負いません。

業務用製品

Introduction

Thank you for purchasing this Pioneer DJ product. Carefully read this installation and user's manual before using the product. Pay particular attention to the content described in "Read Before Use". Store this installation and user's manual in a safe place so that it can be referred to at any time.

Read Before Use (Important)

[For American Users (Pour les utilisateurs aux États-Unis)]

IMPORTANT NOTICE

THE MODEL NUMBER AND SERIAL NUMBER OF THIS EQUIPMENT ARE ON THE REAR OR BOTTOM. RECORD THESE NUMBERS ON YOUR ENCLOSED WARRANTY CARD AND KEEP IN A SAFE PLACE FOR FUTURE REFERENCE.

D36-AP9-1_A1_En

[For American Users and Canadian Users] The Safety of Your Ears is in Your Hands

Get the most out of your equipment by playing it at a safe level – a level that lets the sound come through clearly without annoying blaring or distortion and, most importantly, without affecting your sensitive hearing. Sound can be deceiving. Over time, your hearing "comfort level" adapts to higher volumes of sound, so what sounds "normal" can actually be loud and harmful to your hearing. Guard against this by setting your equipment at a safe level BEFORE your hearing adapts.

ESTABLISH A SAFE LEVEL:

- Set your volume control at a low setting.
- Slowly increase the sound until you can hear it comfortably and clearly, without distortion.
- Once you have established a comfortable sound level, set the dial and leave it there.

BE SURE TO OBSERVE THE FOLLOWING GUIDELINES:

- Do not turn up the volume so high that you can't hear what's around you.
- Use caution or temporarily discontinue use in potentially hazardous situations.
- Do not use headphones while operating a motorized vehicle; the use of headphones may create a traffic hazard and is illegal in many areas.

S001a_A1_En

[For European Users]



If you want to dispose of this product, do not mix it with general household waste. There is a separate collection system for used electronic products in accordance with legislation that requires proper treatment, recovery and recycling.

Private households in the member states of the EU, in Switzerland and Norway may return their used electronic products free of charge to designated collection facilities or to a retailer (if you purchase a similar new one).

For countries not mentioned above, please contact your local authorities for the correct method of disposal.

By doing so you will ensure that your disposed product undergoes the necessary treatment, recovery and recycling and thus prevent potential negative effects on the environment and human health.

K058b_B_En

**WARNING****Installation**

This loudspeaker should be installed by a professional installer.

There is a risk the loudspeaker may fall. Ask a professional installer that possesses sufficient skills and experience to install the loudspeaker. Two or more workers are also recommended for installation.

Pioneer DJ bears no responsibility for accidents and damage resulting from deficient installation or mounting, misuse, modifications, and/or natural disasters.

When the loudspeaker is installed by suspending it from the ceiling or another surface, first check the strength of the installation location and the installation method, and then implement safety measures.

Always implement redundant safety measures, such as by using a fall prevention wire.

Use only the accessories included with the loudspeaker. Do not use the accessories for any other purpose.

There is a risk of accident and damage such as due to the loudspeaker falling.

Only the workers installing the loudspeaker should be near it during installation.

There is a risk of injury if parts fall.

Usage Environment

Do not use the loudspeaker in an environment where water will get inside it or where it will become wet.

Be particularly careful when using the loudspeaker near rain, snow, seashores, waterfronts, bathrooms, and shower rooms. There is a risk of fire and electric shock.

Do not install the loudspeaker in the following environments.

- Poorly ventilated locations with high humidity or a large amount of dust.
- Locations with a large amount of oily smoke, such as inside kitchens or factories.
- Unstable locations, such as those exposed to vibrations or those that are sloped.
- Locations where flammable materials are used, such as alcohols and aerosol insecticides.
- Locations affected by heat generation, such as near light fixtures or heaters.
- Locations exposed to direct sunlight and locations easily affected by the outdoor air.

There is a risk of deformation or discoloration of the enclosure and failure of the loudspeaker, which may result in fire or the loudspeaker falling in a worst case scenario.

Use the loudspeaker in the following environment.

Temperature: 5°C to 35°C

Humidity: 35% to 65% (winter) / 40% to 70% (summer)

Usage Methods

Do not insert metallic or flammable objects into the holes on the front of the loudspeaker, and do not allow those objects to fall into the holes.

There is a risk of fire or electric shock if metallic or flammable objects get inside the loudspeaker. Be particularly careful in homes with children.

Do not open or modify the interior of the loudspeaker.

The interior has high voltage components, and there is a risk of fire and electric shock. Ask your dealer for inspection, maintenance, and repair of the interior of the loudspeaker.

Do not place small parts within reach of young children.

Promptly consult with a physician if a small part is accidentally swallowed.

Actions If Problems Occur

Immediately stop using the loudspeaker if a problem occurs.

If a problem occurs, such as smoke, an unusual odor, or the loudspeaker is damaged by ingress of water or a foreign object, immediately turn off the power to the amplifier that is used, and then request repair. There is a risk of fire and electric shock if the loudspeaker is used when there is a problem.

**CAUTION****Installation**

When connecting the loudspeaker to other equipment, turn off the power to each piece of equipment.

Carefully read the user's manual for each piece of equipment, and connect the equipment according to the description in the manual. In addition, use the specified cords to connect the equipment. There is a risk of electric shock.

Check the stability of the loudspeaker after mounting it to the ceiling.

Inspect the loudspeaker immediately after mounting it. In addition, check the stability of the loudspeaker regularly.

Do not install the loudspeaker outdoors.

This loudspeaker is for indoor use only.

Be careful not to crush your fingers in the spring-loaded ceiling fastening tabs.

There is a risk of injury.

Usage Methods

Do not use the loudspeaker in the following states.

- Do not exceed the permissible input.
- If greatly increasing high pitched sounds with a graphic equalizer, do not increase the volume too much.
- Do not force the loudspeaker to produce loud sounds with a low output power amplifier.
- Do not use the loudspeaker for a long period of time when the sound is distorted. The loudspeaker may be damaged, resulting in heat generation and fire.

Turn the volume all the way down before turning on the power and changing the connection.

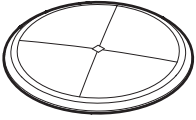
There is a risk of hearing loss and other problems if the loudspeaker suddenly produces a loud sound.

Do not listen to the loudspeaker at high volumes for a long period of time.

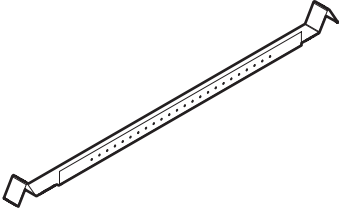
There is a risk of hearing loss.

Checking the Accessories

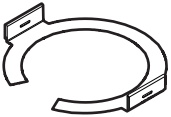
- Panel ×2



- Tile bridge ×4



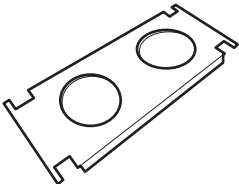
- C-ring ×2



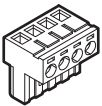
- C-ring fastening screw ×4



- Template for cutting the ceiling hole ×1



- 4-pin Euroblock connector ×2
*Attached to the speaker's terminal



- Installation and Operating Instructions (this document) ×2



- * The speaker wire and fall prevention wire are not included.

Installation and Connections

CAUTION

- Do not mount the loudspeaker on a sloped ceiling.
- Largest supported wire size: 12 AWG
- Smallest supported wire size: 22 AWG
- Confirm that the ceiling to which the loudspeaker will be installed has sufficient strength and the necessary thickness.
Even if the thickness is adequate, you must separately confirm the load bearing capacity of the ceiling board. Supported ceiling thickness: 6 to 20 mm (0.24 to 0.79 inches)
- The C-rings are not for reinforcement. They are safety mechanisms. If the loudspeaker is mounted to a weak ceiling, the ceiling may sag after a long period of time.
- Reinforce the ceiling as appropriate because loudspeaker output may cause the ceiling to resonate and impact sound quality.
- Be careful not to touch the diaphragm of the loudspeaker.

Cutting the Hole in the Ceiling

- Place the included template on the ceiling and draw the line for the hole. Or use a hole cutter and cut the mounting hole in the ceiling.

Hole dimensions

CM-C56T: ϕ 226 mm (8.90 inches)

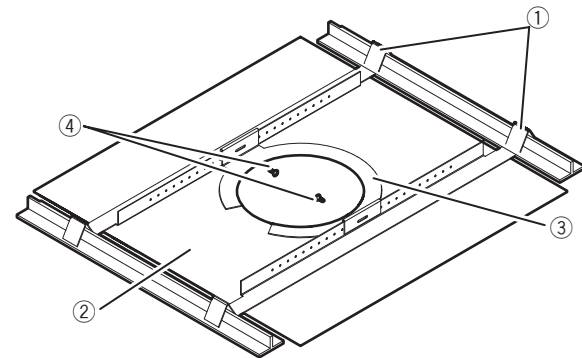
CM-C54T: ϕ 187.5 mm (7.38 inches)

CAUTION

Wear safety goggles to prevent dust and debris from getting in your eyes.

Installing the Tile Bridges and C-Ring

- 1 Insert the two tile bridges ① into the ceiling ② and place them as shown in the diagram.
 - 2 Align the C-ring ③ with the hole in the ceiling ② as shown in the diagram and fit it on the tile bridges. Next, fasten the C-ring to the tile bridges with the screws ④.
- Tightening torque: 1 N·m

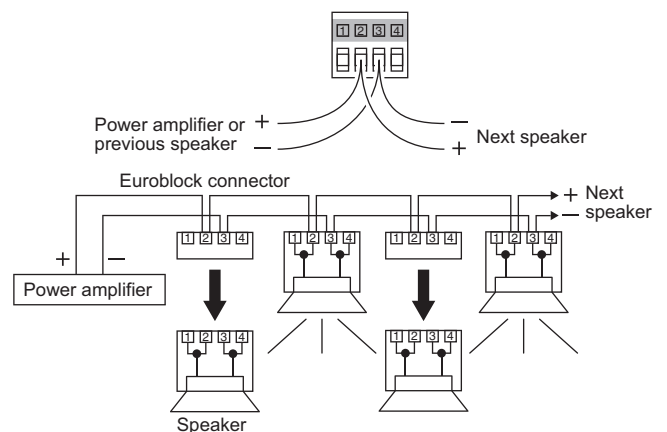


Connecting the Loudspeaker

This section describes how to connect the loudspeaker to the power amplifier and other speakers. The connector for this loudspeaker consists of four terminals. Terminal 1 is the "+" loop-through terminal, terminal 2 is "+", terminal 3 is "-", and terminal 4 is the "-" loop-through terminal. Terminals 1 and 2 and terminals 3 and 4 are connected inside the loudspeaker.

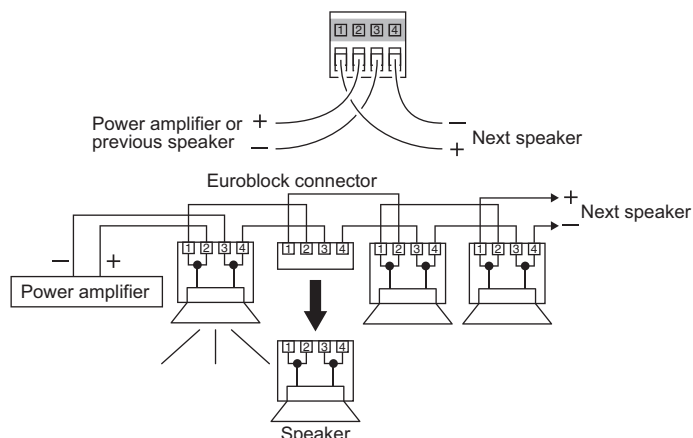
Parallel connection

This connection method enables other speakers to work normally as long as their wires are connected to the terminals even if one speaker has a problem. Connect the wires for the next speaker to the same terminals that fasten the previous speaker wires as shown in the diagram below.



Loop-through connection

This connection method enables easily identifying a speaker that has a problem. If the Euroblock connector is disconnected from a speaker, the subsequent speakers do not work anymore. Connect the previous speaker wires to "+" (terminal 2) and "-" (terminal 3) of IN and the next speaker wires to "+" (terminal 1) and "-" (terminal 4) of the loop-through connection.



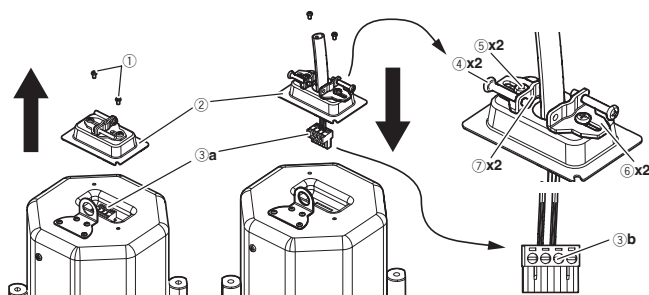
- 1 Loosen the screw ① and remove the connector cover ②. Disconnect the Euroblock connector ③a from the rear connector.
- 2 Strip about 7 mm (0.28 inches) of the insulation at the tips of the speaker wire. Loosen the screws ④ and ⑤, open the cord bushing ⑥, and pass the speaker wire through the cord bushing.
- 3 Insert the conductors of the speaker wire into the terminals on the Euroblock connector, and then fasten the conductors by tightening the screws ③b. Next, connect the Euroblock connector ③a to the rear connector.



CAUTION

Take care to tightly twist the conductors of the speaker wire and ensure the conductors do not touch each other. There is a risk of damage to the loudspeaker and power amplifier.

- 4 Tighten the screw ① to fasten the connector cover ②.
- 5 Tighten screw ④ and screw ⑤ in that order so that the speaker wire fits into the groove ⑦ of the cord bushing ⑥.

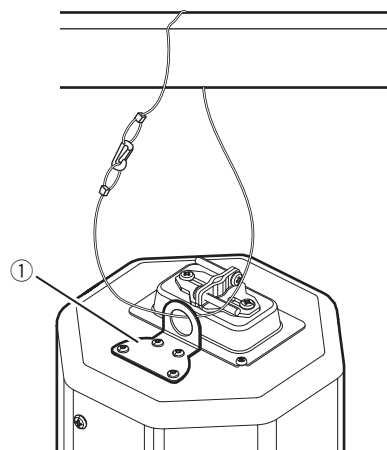


CAUTION

Take care so that the flat portion of the cord bushing ⑥ does not crush the speaker wire.

Attaching the Fall Prevention Wire

- Attach the fall prevention wire (procured by the installer) to the bracket ①, and then secure the other end to the frame of the ceiling.

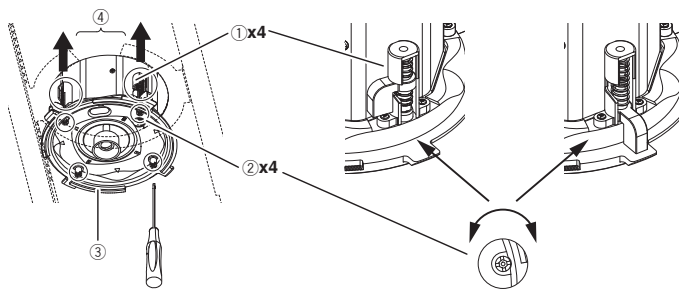


CAUTION

Always implement fall prevention measures for the loudspeaker. Use a fall prevention wire of a suitable length and strength that takes into consideration the weight of the loudspeaker and the state of the installation. If the wire is too long, the loudspeaker may hit someone if it falls.

Fastening the Loudspeaker to the Ceiling

- 1 Confirm that the ceiling fastening tabs ① are in the stored position. If the ceiling fastening tabs are not in the stored position, push the fastening screw ② on the front of the loudspeaker all the way in with a Phillips screwdriver, and then turn the screw counterclockwise to store the ceiling fastening tabs.
- 2 Push the loudspeaker up into the hole until the frame ③ around the front of the loudspeaker makes contact with the ceiling.
- 3 Push in the fastening screw ② with a Phillips screwdriver and turn the screw clockwise to move the four ceiling fastening tabs ① and fasten the loudspeaker to the ceiling board.

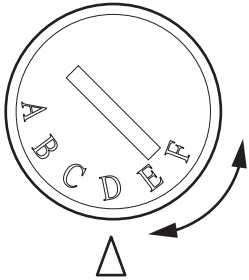


CAUTION

- Confirm that the ceiling fastening tabs ① have extended out from the loudspeaker and that the loudspeaker is securely fastened to the ceiling board. If the loudspeaker is not sufficiently fastened to the ceiling board, it may fall from the ceiling.
- Turn only fastening screw ②. Do not turn any other screws. There is a risk of damage and the loudspeaker falling.
- Do not fasten the ceiling fastening tabs ① at the cut for the C-ring ④.
- Take care so that the speaker wire is not crushed by the frame ③ around the front of the loudspeaker and the ceiling fastening tabs ①.

Setting the Input Selection

- 1 Set the input selection switch on the front of the loudspeaker to the \triangle symbol.
- 2 The illustration shows a 60 W setting when the CM-C56T is connected to a 100 V line and a 30 W setting when connected to a 70 V line.



	CM-C56T		CM-C54T	
	100 V	70 V	100 V	70 V
A	16 Ω	60 W	16 Ω	30 W
B	OFF			
C	---	60 W	---	30 W
D	60 W	30 W	30 W	15 W
E	30 W	15 W	15 W	7.5 W
F	15 W	7.5 W	7.5 W	3.7 W

! CAUTION

- Use position A only when the loudspeaker is used with a low impedance amplifier. The loudspeaker and power amplifier may be damaged if the setting is wrong.
- Turn off the power to the power amplifier before working.

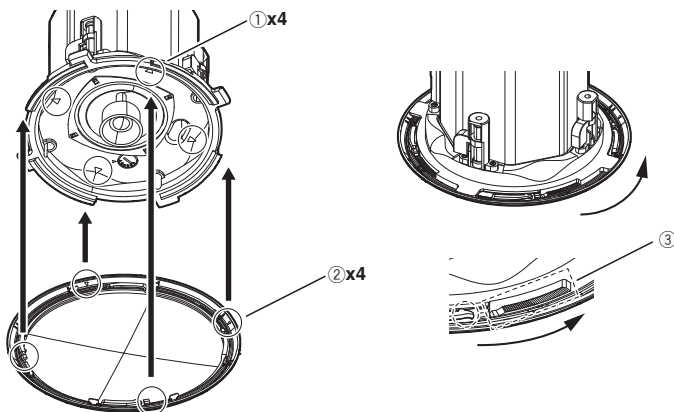
Attaching the Panel

- 1 Fit the panel onto the loudspeaker by aligning the \triangle symbol ① on the front of the loudspeaker with the position of the \triangle symbol ② on the back of the panel, and then push it and turn it clockwise.

! CAUTION

The panel may fall off if it is not sufficiently fit onto the loudspeaker. Firmly turn the panel until it bites into the serration ③.

- 2 Fasten the panel in the area where the serration ③ makes a noise
- 3 To remove the panel, twist it counterclockwise.



Trademarks and Registered Trademarks

"Pioneer DJ" is a trademark of Pioneer Corporation and used under license.

© 2019 Pioneer DJ Corporation. All rights reserved.

Pioneer Dj

Pioneer DJ Americas, Inc.
LIMITED WARRANTY
 WARRANTY VALID ONLY IN THE U.S.A. AND CANADA

WARRANTY

Pioneer DJ Americas, Inc. (PDJA) warrants that products distributed by PDJA in the U.S.A. and Canada that fail to function properly under normal use due to a manufacturing defect when installed and operated according to the owner's manual enclosed with the unit will be repaired or replaced with a unit of comparable value, at the option of PDJA, without charge to you for parts or actual repair work. Parts supplied under this warranty may be new or rebuilt at the option of PDJA.

THIS LIMITED WARRANTY APPLIES TO THE ORIGINAL OR ANY SUBSEQUENT OWNER OF THIS PIONEER DJ PRODUCT DURING THE WARRANTY PERIOD PROVIDED THE PRODUCT WAS PURCHASED FROM AN AUTHORIZED PIONEER DJ DISTRIBUTOR/DEALER IN THE U.S.A. OR CANADA. YOU WILL BE REQUIRED TO PROVIDE A SALES RECEIPT OR OTHER VALID PROOF OF PURCHASE SHOWING THE DATE OF ORIGINAL PURCHASE OR, IF RENTED, YOUR RENTAL CONTRACT SHOWING THE PLACE AND DATE OF FIRST RENTAL. IN THE EVENT SERVICE IS REQUIRED, THE PRODUCT MUST BE DELIVERED WITHIN THE WARRANTY PERIOD, TRANSPORTATION PREPAID, ONLY FROM WITHIN THE U.S.A. AS EXPLAINED IN THIS DOCUMENT. YOU WILL BE RESPONSIBLE FOR REMOVAL AND INSTALLATION OF THE PRODUCT. PDJA WILL PAY TO RETURN THE REPAIRED OR REPLACEMENT PRODUCT TO YOU WITHIN THE U.S.A.

PRODUCT WARRANTY PERIOD

	<u>Parts</u>	<u>Labor</u>
Audio and Video	5 Years	5 Years

The warranty period for retail customers who rent the product commences upon the date product is first put into use (a) during the rental period or (b) retail sale, whichever occurs first.

WHAT IS NOT COVERED

IF THIS PRODUCT WAS PURCHASED FROM AN UNAUTHORIZED DISTRIBUTOR, THERE ARE NO WARRANTIES, EXPRESS OR IMPLIED, INCLUDING THE IMPLIED WARRANTY OF MERCHANTABILITY AND THE IMPLIED WARRANTY OF FITNESS FOR A PARTICULAR PURPOSE AND THIS PRODUCT IS SOLD STRICTLY "AS IS" AND "WITH ALL FAULTS".

PIONEER DJ SHALL NOT BE LIABLE FOR ANY CONSEQUENTIAL AND/OR INCIDENTAL DAMAGES.

THIS WARRANTY DOES NOT APPLY IF THE PRODUCT HAS BEEN SUBJECTED TO POWER IN EXCESS OF ITS PUBLISHED POWER RATING.

THIS WARRANTY DOES NOT COVER THE CABINET OR ANY APPEARANCE ITEM, USER ATTACHED ANTENNA, ANY DAMAGE TO RECORDS OR RECORDING TAPES OR DISCS, ANY DAMAGE TO THE PRODUCT RESULTING FROM ALTERATIONS, MODIFICATIONS NOT AUTHORIZED IN WRITING BY PIONEER DJ, ACCIDENT, MISUSE OR ABUSE, DAMAGE DUE TO LIGHTNING OR TO POWER SURGES, SUBSEQUENT DAMAGE FROM LEAKING, DAMAGE FROM INOPERATIVE BATTERIES, OR THE USE OF BATTERIES NOT CONFORMING TO THOSE SPECIFIED IN THE OWNER'S MANUAL.

THIS WARRANTY DOES NOT COVER THE COST OF PARTS OR LABOR WHICH WOULD BE OTHERWISE PROVIDED WITHOUT CHARGE UNDER THIS WARRANTY OBTAINED FROM ANY SOURCE OTHER THAN A PIONEER DJ AUTHORIZED SERVICE COMPANY OR OTHER DESIGNATED LOCATION. THIS WARRANTY DOES NOT COVER DEFECTS OR DAMAGE CAUSED BY THE USE OF UNAUTHORIZED PARTS OR LABOR OR FROM IMPROPER MAINTENANCE.

ALTERED, DEFACED, OR REMOVED SERIAL NUMBERS VOID THIS ENTIRE WARRANTY

NO OTHER WARRANTIES

PIONEER DJ LIMITS ITS OBLIGATIONS UNDER ANY IMPLIED WARRANTIES INCLUDING, BUT NOT LIMITED TO, THE IMPLIED WARRANTIES OF MERCHANTABILITY AND FITNESS FOR A PARTICULAR PURPOSE, TO A PERIOD NOT TO EXCEED THE WARRANTY PERIOD. NO WARRANTIES SHALL APPLY AFTER THE WARRANTY PERIOD. SOME STATES DO NOT ALLOW LIMITATIONS ON HOW LONG AN IMPLIED WARRANTY LASTS AND SOME STATES DO NOT ALLOW THE EXCLUSIONS OR LIMITATIONS OF INCIDENTAL OR CONSEQUENTIAL DAMAGES, SO THE ABOVE LIMITATIONS OR EXCLUSIONS MAY NOT APPLY TO YOU. THIS WARRANTY GIVES YOU SPECIFIC LEGAL RIGHTS AND YOU MAY HAVE OTHER RIGHTS WHICH MAY VARY FROM STATE TO STATE.

TO OBTAIN SERVICE

PDJA has appointed a number of Authorized Service Companies throughout the U.S.A. and Canada should your product require service. To receive warranty service you need to present your sales receipt or, if rented, your rental contract showing place and date of original owner's transaction. If shipping the unit you will need to package it carefully and send it, transportation prepaid by a traceable, insured method, to an Authorized Service Company. Package the product using adequate padding material to prevent damage in transit. The original container is ideal for this purpose. Include your name, address and telephone number where you can be reached during business hours.

On all complaints and concerns in the U.S.A. and Canada call Customer Support at 1-800-872-4159.

For hook-up and operation of your unit or to locate an
 Authorized Service Company, please call or write:

CUSTOMER SUPPORT
 PIONEER ELECTRONICS (USA) INC.
 P.O. BOX 1720
 LONG BEACH, CALIFORNIA 90801
 1-800-872-4159
<http://www.pioneerelectronics.com>

DISPUTE RESOLUTION

Following our response to any initial request to Customer Support, should a dispute arise between you and Pioneer DJ, Pioneer DJ makes available its Complaint Resolution Program to resolve the dispute. The Complaint Resolution Program is available to you without charge. You are required to use the Complaint Resolution Program before you exercise any rights under, or seek any remedies, created by Title I of the Magnuson-Moss Warranty-Federal Trade Commission Improvement Act, 15 U.S.C. 2301 *et seq.*

To use the Complaint Resolution Program call 1-800-872-4159 and explain to the customer service representative the problem you are experiencing, steps you have taken to have the product repaired during the warranty period and the name of the authorized Distributor/Dealer from whom the Pioneer DJ product was purchased. After the complaint has been explained to the representative, a resolution number will be issued. Within 40 days of receiving your complaint, Pioneer DJ will investigate the dispute and will either: (1) respond to your complaint in writing informing you what action Pioneer DJ will take, and in what time period, to resolve the dispute; or (2) respond to your complaint in writing informing you why it will not take any action.

RECORD THE PLACE AND DATE OF PURCHASE FOR FUTURE REFERENCE

Model No. _____ Serial No. _____ Purchase Date _____

Purchased From _____

KEEP THIS INFORMATION AND YOUR SALES RECEIPT IN A SAFE PLACE

UCP0516

Introduction

Nous vous remercions d'avoir acheté ce produit Pioneer DJ. Lisez attentivement ce manuel d'installation et d'utilisation avant d'utiliser le produit. Faites particulièrement attention au contenu décrit à la rubrique "Lire avant utilisation". Conservez ce manuel d'installation et d'utilisation dans un endroit sûr afin de pouvoir vous y référer à tout moment.

Lire avant utilisation (important)

[Pour les utilisateurs en Europe]



Si vous souhaitez vous débarrasser de cet appareil, ne le mettez pas à la poubelle avec vos ordures ménagères. Il existe un système de collecte séparé pour les appareils électroniques usagés, qui doivent être récupérés, traités et recyclés conformément à la législation.

Les habitants des états membres de l'UE, de Suisse et de Norvège peuvent retourner gratuitement leurs appareils électroniques usagés aux centres de collecte agréés ou à un détaillant (si vous rachetez un appareil similaire neuf).

Dans les pays qui ne sont pas mentionnés ci-dessus, veuillez contacter les autorités locales pour savoir comment vous pouvez vous débarrasser de vos appareils.

Vous garantirez ainsi que les appareils dont vous vous débarrassez sont correctement récupérés, traités et recyclés et préviendrez de cette façon les impacts néfastes possibles sur l'environnement et la santé humaine.

K058b_B_Fr

La protection de votre ouïe est entre vos mains

Pour assurer le rendement optimal de votre matériel et – plus important encore – la protection de votre ouïe, réglez le volume à un niveau raisonnable. Pour ne pas altérer votre sens de la perception, le son doit être clair mais ne produire aucun vacarme et être exempt de toute distorsion. Votre ouïe peut vous jouer des tours. Avec le temps, votre système auditif peut en effet s'adapter à des volumes supérieurs, et ce qui vous semble un « niveau de confort normal » pourrait au contraire être excessif et contribuer à endommager votre ouïe de façon permanente. Le réglage de votre matériel à un volume sécuritaire AVANT que votre ouïe s'adapte vous permettra de mieux vous protéger.

CHOISISSEZ UN VOLUME SÉCURITAIRE:

- Réglez d'abord le volume à un niveau inférieur.
- Montez progressivement le volume jusqu'à un niveau d'écoute confortable ; le son doit être clair et exempt de distorsions.
- Une fois que le son est à un niveau confortable, ne touchez plus au bouton du volume.

N'OUBLIEZ PAS DE RESPECTER LES DIRECTIVES SUIVANTES:

- Lorsque vous montez le volume, assurez-vous de pouvoir quand même entendre ce qui se passe autour de vous.
- Faites très attention ou cessez temporairement l'utilisation dans les situations pouvant s'avérer dangereuses.
- N'utilisez pas des écouteurs ou un casque d'écoute lorsque vous opérez un véhicule motorisé ; une telle utilisation peut créer des dangers sur la route et est illégale à de nombreux endroits.

S001a_A1_Fr

AVERTISSEMENT

Installation

Ce haut-parleur doit être installé par un installateur professionnel.

Il existe un risque de chute du haut-parleur. Demandez à un installateur professionnel possédant les compétences et l'expérience suffisantes d'installer le haut-parleur. Il est également recommandé que l'installation soit effectuée par au moins deux techniciens.

Pioneer DJ n'assume aucune responsabilité pour les accidents et les dommages résultant d'une installation ou d'un montage défectueux, d'une utilisation incorrecte, de modifications et/ou de catastrophes naturelles.

Lorsque le haut-parleur est suspendu au plafond ou à une autre surface, vérifiez d'abord la solidité de l'emplacement d'installation et la méthode d'installation, puis prenez les mesures de sécurité nécessaires.

Prenez toujours des mesures de sécurité redondantes, en utilisant un câble anti-chute par exemple.

Utilisez uniquement les accessoires fournis avec le haut-parleur. N'utilisez pas les accessoires à d'autres fins.

Il existe un risque d'accident et de dommages tels que la chute du haut-parleur.

Seuls les techniciens effectuant l'installation du haut-parleur doivent se trouver à proximité de celui-ci pendant l'installation.

Il existe un risque de blessure en cas de chute de pièces.

Environnement d'utilisation

N'utilisez pas le haut-parleur dans un environnement où de l'eau pourrait pénétrer à l'intérieur de celui-ci ou dans lequel il pourrait être mouillé.

Faites particulièrement attention lors de l'utilisation du haut-parleur dans des endroits exposés à la pluie ou à la neige, en bord de mer ou à proximité d'eau, d'une baignoire ou d'une douche. Il existe un risque d'incendie et de choc électrique.

N'installez pas le haut-parleur dans les environnements suivants.

- Emplacements mal ventilés avec une humidité élevée ou très poussiéreux.
- Emplacements exposés à une grande quantité de fumée huileuse, tels que les cuisines ou les usines.
- Emplacements instables, tels que les emplacements inclinés ou exposés à des vibrations.
- Emplacements où des matériaux inflammables, tels que des alcools et des insecticides en aérosol, sont utilisés.
- Emplacements affectés par la génération de chaleur, comme à proximité d'appareils d'éclairage ou de chauffage.
- Emplacements exposés à la lumière directe du soleil et emplacements facilement affectés par l'air extérieur.

Il existe un risque de déformation ou de décoloration de l'enceinte et de défaillance du haut-parleur, ce qui pourrait provoquer un incendie ou la chute du haut-parleur dans le pire des cas.

Utilisez le haut-parleur dans l'environnement suivant.

Température : 5 °C à 35 °C

Humidité : 35 % à 65 % (en hiver) / 40 % à 70 % (en été)

Méthodes d'utilisation

N'insérez pas d'objets métalliques ou inflammables dans les trous situés à l'avant du haut-parleur et veillez à ce que de tels objets ne tombent pas dans les trous.

Il existe un risque d'incendie ou de choc électrique si des objets métalliques ou inflammables pénètrent à l'intérieur du haut-parleur. Faites particulièrement attention dans les maisons en présence d'enfants.

N'ouvrez pas et ne modifiez pas l'intérieur du haut-parleur.

L'intérieur contient des composants sous haute tension, ce qui présente un risque d'incendie et de choc électrique. Contactez votre revendeur pour l'inspection, la maintenance et la réparation de l'intérieur du haut-parleur.

Ne laissez pas des petites pièces à la portée des jeunes enfants.

Consultez immédiatement un médecin en cas d'ingestion accidentelle d'une petite pièce.

Actions en cas de problèmes

Arrêtez immédiatement d'utiliser le haut-parleur en cas de problème.

En cas de problème, tel que de la fumée, une odeur inhabituelle ou l'endommagement du haut-parleur causé par la pénétration d'eau ou d'un corps étranger, mettez immédiatement l'amplificateur utilisé hors tension, puis demandez la réparation. Il existe un risque d'incendie et de choc électrique si le haut-parleur est utilisé lorsqu'un problème s'est produit.



ATTENTION

Installation

Lors de la connexion du haut-parleur à un autre appareil, mettez chaque appareil hors tension.

Lisez attentivement le mode d'emploi de chaque appareil et connectez l'appareil conformément aux instructions du mode d'emploi. De plus, utilisez les cordons spécifiés pour connecter l'appareil. Il existe un risque de choc électrique.

Vérifiez la stabilité du haut-parleur après l'avoir monté au plafond.

Inspectez le haut-parleur immédiatement après l'avoir monté. De plus, vérifiez régulièrement la stabilité du haut-parleur.

N'installez pas le haut-parleur à l'extérieur.

Ce haut-parleur est destiné à une utilisation en intérieur uniquement.

Veillez à ne pas vous écraser les doigts dans les attaches de fixation au plafond à ressort.

Il existe un risque de blessure.

Méthodes d'utilisation

N'utilisez pas le haut-parleur dans les conditions suivantes.

- Ne dépassez pas l'entrée admissible.
- En cas d'augmentation importante des sons aigus avec un égaliseur graphique, n'augmentez pas trop le volume.
- Ne forcez pas le haut-parleur à produire des sons forts avec un amplificateur de puissance de sortie faible.
- N'utilisez pas le haut-parleur pendant une période prolongée lorsque le son est déformé.

Le haut-parleur peut être endommagé, entraînant une génération de chaleur et un incendie.

Baissez le volume au minimum avant de mettre sous tension et de modifier la connexion.

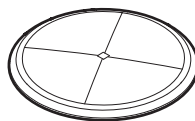
Il existe un risque de perte auditive et d'autres problèmes si le haut-parleur produit un son fort soudain.

N'écoutez pas le haut-parleur à un volume élevé pendant une période prolongée.

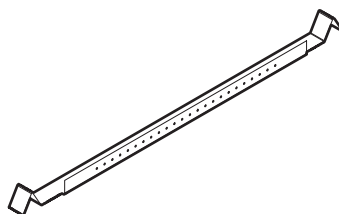
Il existe un risque de perte auditive.

Vérification des accessoires

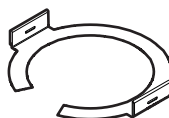
- Panneau ×2



- Plaque de renfort ×4



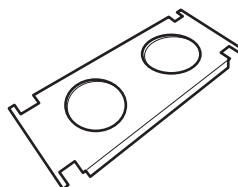
- Anneau en C ×2



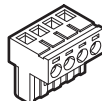
- Vis de fixation d'anneau en C ×4



- Gabarit de découpe du trou du plafond ×1



- Connecteur Euroblock à 4 broches ×2
*Raccordé à la borne du haut-parleur



- Instructions d'installation et d'utilisation (ce document) ×2



- * Le fil du haut-parleur et le câble anti-chute ne sont pas inclus.

Installation et connexions



ATTENTION

- Ne montez pas le haut-parleur sur un plafond incliné.
- Calibre maximum de câble pris en charge : 12 AWG
- Calibre minimum de câble pris en charge: 22 AWG
- Vérifiez que le plafond sur lequel le haut-parleur doit être installé est suffisamment robuste et épais.
Même si l'épaisseur est suffisante, vous devez vérifier séparément la capacité portante du panneau de plafond. Épaisseur de plafond prise en charge : 6 à 20 mm (0,24 à 0,79 pouce)
- Les anneaux en C sont des mécanismes de sécurité et ne sont pas destinés au renforcement. Si le haut-parleur est monté sur un plafond faible, le plafond peut s'affaisser après une longue période.
- Renforcez le plafond au besoin, car la sortie du haut-parleur peut provoquer une résonance du plafond et affecter la qualité du son.
- Veillez à ne pas toucher la membrane du haut-parleur.

Découpe du trou dans le plafond

- Placez le gabarit fourni au plafond et tracez la ligne pour le trou. Vous pouvez également utiliser une scie cloche et découpez le trou de montage dans le plafond.

Dimensions du trou

CM-C56T : ϕ 226 mm (8,90 inches)

CM-C54T : ϕ 187,5 mm (7,38 inches)



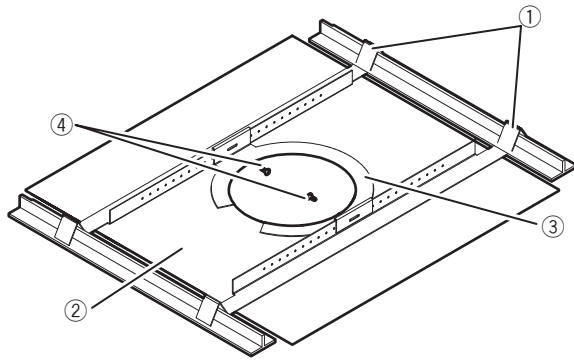
ATTENTION

Portez des lunettes de protection pour empêcher la poussière et les débris de pénétrer dans vos yeux.

Installation des plaques de renfort et de l'anneau en C

- Insérez les deux plaques de renfort ① dans le plafond ② et placez-les comme indiqué sur le schéma.
- Alignez l'anneau en C ③ avec le trou dans le plafond ② comme indiqué sur le schéma et installez-le sur les plaques de renfort. Ensuite, fixez l'anneau en C aux plaques de renfort à l'aide des vis ④.

Couple de serrage : 1 N·m



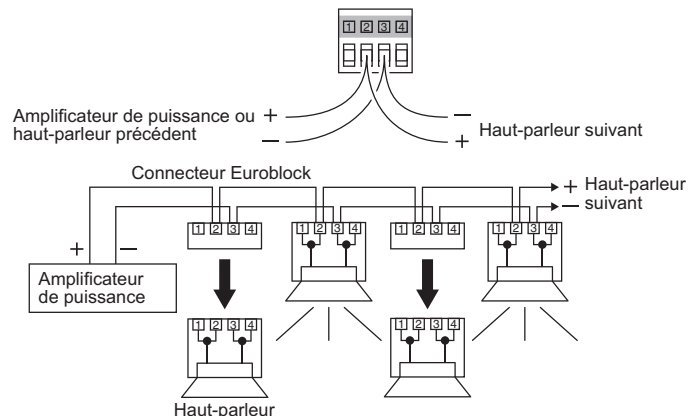
Connexion du haut-parleur

Cette section explique comment connecter le haut-parleur à l'amplificateur de puissance et à d'autres haut-parleurs. Le connecteur de ce haut-parleur est composé de quatre bornes. La borne 1 correspond à la borne "+" en boucle, la borne 2 à la borne "+", la borne 3 à la borne "-" et la borne 4 à la borne "-" en boucle. Les bornes 1 et 2 et les bornes 3 et 4 sont connectées à l'intérieur du haut-parleur.

Connexion parallèle

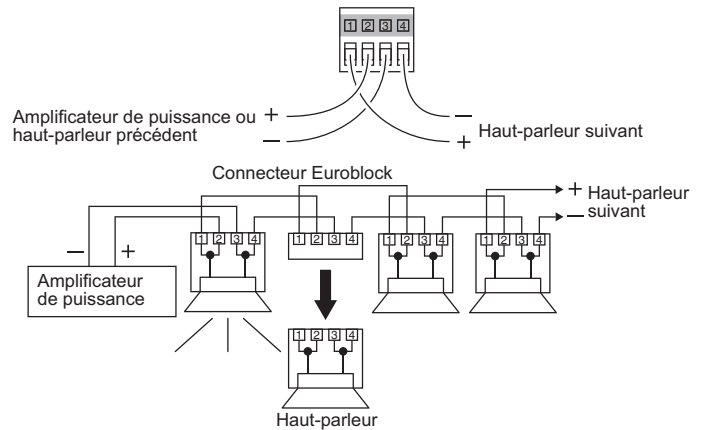
Cette méthode de connexion permet aux autres haut-parleurs de fonctionner normalement tant que leurs fils sont connectés aux bornes, même si un problème survient au niveau d'un haut-parleur.

Connectez les fils du haut-parleur suivant aux mêmes bornes que celles utilisées pour les fils du haut-parleur précédent, comme indiqué sur le schéma ci-dessous.



Connexion en boucle

Cette méthode de connexion permet d'identifier facilement un haut-parleur qui a un problème. Si le connecteur Euroblock est déconnecté d'un haut-parleur, les haut-parleurs suivants ne fonctionnent plus. Connectez les fils du haut-parleur précédent aux bornes d'entrée "+" (borne 2) et "-" (borne 3) et les fils du haut-parleur suivant aux bornes "+" (borne 1) et "-" (borne 4) de la connexion en boucle.



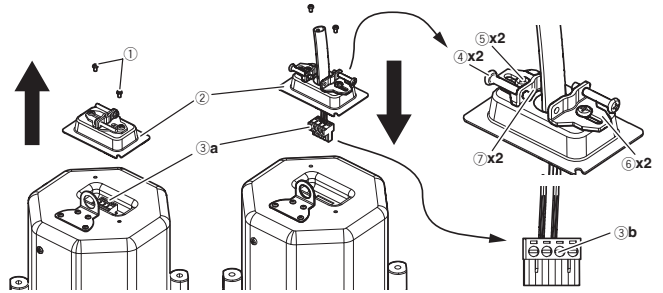
- Desserrez la vis ① et retirez le cache du connecteur ②. Déconnectez le connecteur Euroblock ③a du connecteur arrière.
- Dénudez l'isolant sur 7 mm (0,28 pouce) environ aux extrémités du fil du haut-parleur. Desserrez les vis ④ et ⑤, ouvrez le passe-câble ⑥ et passez le fil du haut-parleur à travers le passe-câble.
- Insérez les conducteurs du fil du haut-parleur dans les bornes du connecteur Euroblock, puis fixez les conducteurs en serrant les vis ③b. Connectez ensuite le connecteur Euroblock ③a au connecteur arrière.



ATTENTION

Veillez à bien torsader les conducteurs du fil du haut-parleur et assurez-vous qu'ils ne se touchent pas. Cela pourrait endommager le haut-parleur et l'amplificateur de puissance.

- Serrez la vis ① pour fixer le cache du connecteur ②.
- Serrez la vis ④ et la vis ⑤ dans cet ordre pour que le fil du haut-parleur s'engage dans la rainure ⑦ du passe-câble ⑥.

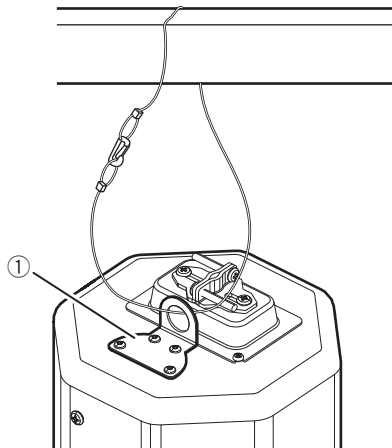


ATTENTION

Veillez à ce que la partie plate du passe-câble ⑥ n'écrase pas le fil du haut-parleur.

Fixation du câble anti-chute

- Fixez le câble anti-chute (fourni par l'installateur) au support ①, puis fixez l'autre extrémité au cadre du plafond.

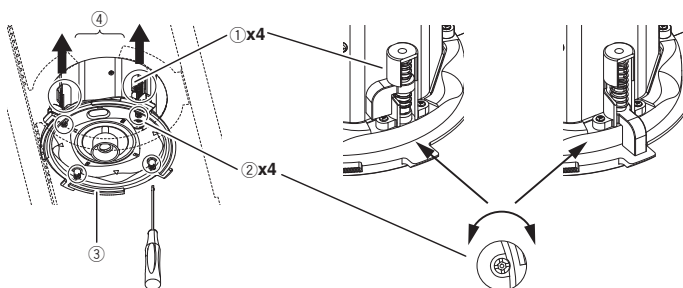


⚠ ATTENTION

Prenez toujours des mesures de prévention contre les chutes pour le haut-parleur. Utilisez un câble anti-chute de longueur et de résistance appropriées qui prend en compte le poids du haut-parleur et l'état de l'installation. Si le câble est trop long, le haut-parleur peut blesser quelqu'un en cas de chute.

Fixation du haut-parleur au plafond

- Vérifiez que les attaches de fixation au plafond ① sont en position rentrée. Si les attaches de fixation au plafond ne sont pas en position rentrée, enfoncez la vis de fixation ② à l'avant du haut-parleur à fond à l'aide d'un tournevis Phillips, puis tournez la vis dans le sens antihoraire pour rentrer les attaches de fixation au plafond.
- Poussez le haut-parleur vers le haut dans le trou jusqu'à ce que le cadre ③ autour de la face avant du haut-parleur soit en contact avec le plafond.
- Enfoncez la vis de fixation ② à l'aide d'un tournevis Phillips et tournez la vis dans le sens horaire pour déplacer les quatre attaches de fixation au plafond ①, puis serrez le haut-parleur au panneau de plafond.

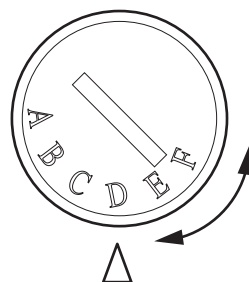


⚠ ATTENTION

- Vérifiez que les attaches de fixation au plafond ① sont sorties du haut-parleur et que le haut-parleur est correctement fixé au panneau de plafond. Si le haut-parleur n'est pas correctement fixé au panneau de plafond, il peut tomber du plafond.
- Tournez uniquement la vis de fixation ②. Ne tournez aucune autre vis. Il existe un risque de dommages et de chute du haut-parleur.
- Ne fixez pas les attaches de fixation au plafond ① au niveau de la découpe pour l'anneau en C ④.
- Veillez à ce que le fil du haut-parleur ne soit pas écrasé par le cadre ③ autour de la face avant du haut-parleur et les attaches de fixation au plafond ①.

Réglage de la sélection de l'entrée

- Réglez le sélecteur d'entrée à l'avant du haut-parleur sur le symbole \triangle .
- L'illustration montre un réglage de 60 W lorsque le CM-C56T est connecté à une ligne 100 V et un réglage de 30 W lorsqu'il est connecté à une ligne 70 V.



	CM-C56T		CM-C54T	
	100 V	70 V	100 V	70 V
A	16Ω 60 W		16Ω 30 W	
B	DÉSACTIVÉE			
C	---	60 W	---	30 W
D	60 W	30 W	30 W	15 W
E	30 W	15 W	15 W	7,5 W
F	15 W	7,5 W	7,5 W	3,7 W

⚠ ATTENTION

- Utilisez la position A uniquement lorsque le haut-parleur est utilisé avec un amplificateur basse impédance. Le haut-parleur et l'amplificateur de puissance peuvent être endommagés si le réglage est incorrect.
- Mettez l'amplificateur de puissance hors tension avant d'effectuer des travaux.

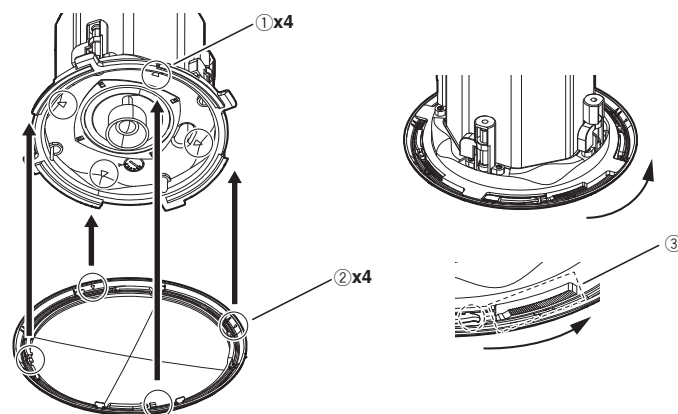
Fixation du panneau

- Montez le panneau sur le haut-parleur en alignant le symbole \triangle ① à l'avant du haut-parleur avec la position du symbole \triangle ② à l'arrière du panneau, puis poussez-le et tournez-le dans le sens horaire.

⚠ ATTENTION

Le panneau peut tomber s'il n'est pas monté correctement sur le haut-parleur. Tournez fermement le panneau jusqu'à ce qu'il s'insère dans la dentelure ③.

- Fixez le panneau lorsque la dentelure ③ fait un bruit.
- Pour retirer le panneau, tournez-le dans le sens antihoraire.



Marques commerciales et marques déposées

"Pioneer DJ" est une marque commerciale de Pioneer Corporation et est utilisée sous licence.

© 2019 Pioneer DJ Corporation. Tous droits de reproduction et de traduction réservés.

Pioneer Dj

Pioneer DJ Americas, Inc.
GARANTIE LIMITÉE

GARANTIE VALABLE UNIQUEMENT AUX ÉTATS-UNIS ET AU CANADA

GARANTIE

Pioneer DJ Americas, Inc. (PDJA) garantit que les produits distribués par PDJA aux États-Unis ou au Canada qui, bien qu'étant installés et utilisés conformément au Manuel de l'utilisateur fourni avec le produit, ne fonctionneraient pas correctement dans le cadre d'une utilisation normale en raison d'un défaut de fabrication seront réparés ou remplacés par un produit de valeur équivalente, au choix de PDJA, sans frais à votre charge pour les pièces et/ou la main d'œuvre de réparation. Les pièces incluses en vertu de la présente garantie peuvent être neuves ou remises à neuf, au choix de PDJA.

LA PRÉSENTE GARANTIE LIMITÉE S'APPLIQUE AU PROPRIÉTAIRE ORIGINAL AINSI QU'À TOUT PROPRIÉTAIRE SUCCESSIF DE CE PRODUIT PIONEER DJ PENDANT LA PÉRIODE DE GARANTIE À CONDITION QUE LE PRODUIT AIT ÉTÉ ACHÉTÉ AUPRÈS D'UN DISTRIBUTEUR/DÉTAILLANT PIONEER DJ AGRÉÉ AUX ÉTATS-UNIS OU AU CANADA. VOUS DEVREZ FOURNIR UN RELEVÉ DE CAISSE OU UNE AUTRE PREUVE D'ACHAT VALIDE INDIQUANT LA DATE DE L'ACHAT INITIAL OU, SI VOUS LOUEZ LE PRODUIT, VOTRE CONTRAT DE LOCATION INDIQUANT L'ENDROIT ET LA DATE DE LA PREMIÈRE LOCATION. EN CAS DE BESOIN DE RÉPARATION, LE PRODUIT DOIT ÊTRE RENVOYÉ ET LIVRÉ AU COURS DE LA PÉRIODE DE GARANTIE, FRAIS DE PORT PAYÉS ET UNIQUEMENT DEPUIS L'INTÉRIEUR DES ÉTATS-UNIS. COMME EXPLIQUÉ DANS LE PRÉSENT DOCUMENT, VOUS ÊTES RESPONSABLE DU DÉMONTAGE ET DE L'INSTALLATION DU PRODUIT. PDJA PREND À SA CHARGE LES FRAIS D'EXPÉDITION DU PRODUIT RÉPARÉ OU REMPLACÉ JUSQU'À VOTRE ADRESSE À L'INTÉRIEUR DES ÉTATS-UNIS.

PÉRIODE DE GARANTIE DES PRODUITS

Pièces Main-d'œuvre

Audio et Vidéo 5 ans 5 ans

La période de garantie pour les clients qui louent le produit commence le jour où le produit est utilisé pour la première fois (a) pendant la période de location ou (b) après la vente au détail, selon ce qui se produit en premier.

ÉLÉMENTS NON COUVERTS PAR LA GARANTIE

UN PRODUIT ACHÉTÉ CHEZ UN DISTRIBUTEUR NON AUTORISÉ N'EST COUVERT PAR AUCUNE GARANTIE EXPRESSE OU IMPLICITE, Y COMPRIS QUELQUE GARANTIE IMPLICITE DE QUALITÉ MARCHANDE OU D'ADAPTATION À UN USAGE PARTICULIER QUE CE SOIT. DE PLUS, CE PRODUIT EST STRICTEMENT VENDU « TEL QUEL » ET « AVEC TOUTS SES DÉFAUTS ÉVENTUELS ».

Pioneer DJ NE PEUT PAS ÊTRE TENU RESPONSABLE DES DOMMAGES INDIRECTS ET/OU ACCESSOIRES ÉVENTUELS.

LA PRÉSENTE GARANTIE NE S'APPLIQUE PAS SI LE PRODUIT A ÉTÉ SOUMIS À UNE PUISSANCE NOMINALE EXCÉDANT LA PUISSANCE INDIQUÉE DANS LES SPÉCIFICATIONS FOURNIES.

LA PRÉSENTE GARANTIE NE COUVRE PAS LE BOÎTIER OU LES ÉLÉMENTS ESTHÉTIQUES, LES ANTENNES INSTALLÉES PAR L'UTILISATEUR, LES DOMMAGES AUX DISQUES OU AUX RUBANS OU DISQUES D'ENREGISTREMENT, LES DOMMAGES AU PRODUIT DÉCOULANT D'UNE RETOUCHE, D'UNE MODIFICATION NON AUTORISÉE PAR ÉCRIT PAR Pioneer DJ, D'UN ACCIDENT, D'UN USAGE INAPPROPRIÉ OU D'UN USAGE ABUSIF, LES DOMMAGES PRODUITS PAR LA Foudre ou LA SURTENSION, LES DOMMAGES SUBSÉQUENTS DÉCOULANT DE FUITES, LES DOMMAGES DÉCOULANT DE PILES DÉFECTUEUSES OU DE L'UTILISATION DE PILES NON CONFORMES À CELLES QUI SONT SPÉCIFIÉES DANS LE MANUEL DE L'UTILISATEUR.

LA PRÉSENTE GARANTIE NE COUVRE PAS LE COÛT DES PIÈCES OU DE LA MAIN-D'ŒUVRE QUI SERAIENT AUTREMENT OFFERTES SANS FRAIS EN VERTU DE LA PRÉSENTE GARANTIE, SI ELLES SONT OBTENUES AUPRÈS D'UNE SOURCE AUTRE QU'UNE SOCIÉTÉ DE SERVICE OU AUTRE AUTORISÉE OU DÉSIGNÉE PAR Pioneer DJ. LA PRÉSENTE GARANTIE NE COUVRE PAS LES DÉFECTUOSITÉS OU LES DOMMAGES CAUSÉS PAR L'UTILISATION D'UNE MAIN-D'ŒUVRE OU DE PIÈCES NON AUTORISÉES, ET/OU D'UN ENTRETIEN INADÉQUAT.

LES NUMÉROS DE SÉRIE MODIFIÉS, OBLITÉRÉS OU ENLEVÉS ANNULENT LA PRÉSENTE GARANTIE DANS SA TOTALITÉ.

EXCLUSION DE TOUTE AUTRE GARANTIE

Pioneer DJ LIMITE SES OBLIGATIONS EN VERTU DE TOUTE GARANTIE IMPLICITE QUE CE SOIT, Y COMPRIS ENTRE AUTRES LES GARANTIES IMPLICITES DE QUALITÉ MARCHANDE OU D'ADAPTATION À UN USAGE PARTICULIER, À UNE PÉRIODE N'EXCÉDANT PAS LA PÉRIODE DE GARANTIE. AUCUNE GARANTIE NE S'APPLIQUE APRÈS LA PÉRIODE DE GARANTIE. CERTAINS ÉTATS NE PERMETTENT PAS LA LIMITATION DE LA DURÉE D'UNE GARANTIE IMPLICITE, ET CERTAINS NE PERMETTENT PAS L'EXCLUSION OU LA LIMITATION DES DOMMAGES CONSÉCUTIFS OU INDIRECTS, LES LIMITATIONS ET EXCLUSIONS ÉTABLIES CI-DESSUS PEUVENT DONC NE PAS S'APPLIQUER À VOUS. LA PRÉSENTE GARANTIE VOUS DONNE DES DROITS LÉGAUX SPÉCIFIQUES. VOUS POUVEZ JOUIR D'AUTRES DROITS, QUI PEUVENT VARIER D'UN ÉTAT À L'AUTRE.

SERVICE APRÈS-VENTE

PDJA a autorisé un certain nombre de sociétés de service après-vente agréées à travers les États-Unis et le Canada pour le cas où votre produit aurait besoin d'être réparé. Pour profiter d'un tel service en vertu de la garantie, vous devez présenter votre ticket de caisse ou, si vous louez le produit, votre contrat de location indiquant l'endroit et la date de la transaction par le premier propriétaire. Si vous expédiez le produit, vous devez l'emballer soigneusement et l'envoyer à une société de service autorisée, en port prépayé et selon une méthode de transport incluant un suivi et une assurance. Emballez le produit au moyen de matériaux de rembourrage appropriés pour éviter tout dommage pendant le transport. L'emballage d'origine est idéal pour cela. Indiquez votre nom, votre adresse et un numéro de téléphone où nous pouvons vous joindre pendant les heures de bureau.

Pour toute réclamation et/ou question à l'intérieur des États-Unis ou du Canada, appelez le Service Consommateurs au 1-800-872-4159.

Pour toute question concernant la mise en service ou l'utilisation de votre produit,

ou pour trouver une société de service autorisée, appelez ou écrivez à :

CUSTOMER SUPPORT

PIONEER ELECTRONICS (USA) INC.

P.O. BOX 1720

LONG BEACH, CALIFORNIA 90801

1-800-872-4159

<http://www.pioneerelectronics.com>

RÉSOLUTION DES LITIGES

Si un litige se produit entre vous et Pioneer DJ après la réponse à une demande initiale faite au Service Consommateurs, vous pouvez avoir recours au Programme de résolution des plaintes de Pioneer DJ pour résoudre le litige. Le Programme de résolution des plaintes vous est offert gratuitement. Vous devez avoir recours au Programme de résolution des plaintes avant de vous prévaloir de vos droits ou de chercher réparation en vertu du Titre I de la loi Magnuson-Moss Warranty-Federal Trade Commission Improvement Act, 15 U.S.C. 2301 et seq. Pour utiliser le Programme de résolution des plaintes, appelez le 1-800-872-4159 et expliquez au représentant du Service Consommateurs le problème que vous rencontrez ainsi que les démarches que vous avez effectuées pour faire réparer le produit pendant la période de garantie, puis communiquez-lui le nom du distributeur /détaillant autorisé auprès duquel vous avez acheté le produit Pioneer DJ. Une fois que votre plainte a été expliquée au représentant, un numéro de résolution vous sera communiqué. Pioneer DJ étudiera votre plainte et, dans un délai de quarante (40) jours après la réception de votre plainte, (1) répondra à votre plainte par écrit pour vous aviser des démarches qui seront entreprises pour résoudre le conflit, et indiquera combien de temps ces démarches prendront ; ou (2) répondra à votre plainte par écrit pour vous indiquer les raisons pour lesquelles aucune démarche ne sera entreprise.

NOTEZ ET CONSERVER LE LIEU ET LA DATE D'ACHAT POUR RÉFÉRENCE ULTÉRIEURE

N° de modèle : _____ N° de Série : _____
Date d'achat : _____ Nom du distributeur/détaillant _____

PRENEZ SOIN DE CONSERVER CES INFORMATIONS ET VOTRE REÇU D'ACHAT EN LIEU SÛR POUR RÉFÉRENCE ULTÉRIEURE

UCP0516

Введение

Благодарим вас за покупку этого изделия Pioneer DJ. Прежде чем приступить к его использованию, внимательно прочтите это руководство по установке и эксплуатации. Обратите особое внимание на раздел «Прочтите перед использованием». Храните это руководство по установке и эксплуатации в надежном месте на случай, если оно понадобится вам в будущем.

Прочтите перед использованием (важно)



Если вы желаете утилизировать данное изделие, не выбрасывайте его вместе с обычным бытовым мусором. Существует отдельная система сбора использованных электронных изделий в соответствии с законодательством, которая предполагает соответствующее обращение, возврат и переработку.

Частные клиенты в странах-членах ЕС, в Швейцарии и Норвегии могут бесплатно возвращать использованные электронные изделия в соответствующие пункты сбора или дилеру (при покупке сходного нового изделия).

В странах, не перечисленных выше, для получения информации о правильных способах утилизации обращайтесь в соответствующие учреждения.

Поступая таким образом, вы можете быть уверены в том, что утилизируемый продукт будет соответствующим образом обработан, передан в соответствующий пункт и переработан без возможных негативных последствий для окружающей среды и здоровья людей.

K058b_B_Ru

Примечание:

Корпорация Пайонир Диджей устанавливает следующую продолжительность срока службы официально поставляемых на Российский рынок товаров.

Аудио и видеооборудование: 7 лет

Переносное аудиооборудование: 6 лет

Другое оборудование (наушники, микрофон и т.д.): 5 лет

D3-7-10-6b_B1_Ru



ПРЕДУПРЕЖДЕНИЕ

Установка

Заниматься установкой динамика должен профессиональный установщик.

Существует риск падения динамика. Обратитесь к профессиональному установщику, обладающему необходимыми для установки динамика навыками и опытом. Рекомендуется также проводить установку силами как минимум двух рабочих.

Компания Pioneer DJ не несет ответственности за несчастные случаи и повреждения, возникшие в результате неправильной установки или монтажа, неправильного использования, модификаций и (или) природных катастроф.

При установке динамика на подвесные крепления под потолком или другой поверхностью сначала проверьте надежность этой поверхности и способа установки, а затем примите меры для обеспечения безопасности.

Приспособления для обеспечения безопасности должны быть избыточными (например, необходимо использовать трос, страхующий конструкцию от обрушения).

Используйте только дополнительные принадлежности, входящие в комплект поставки динамика. Не используйте их в непредусмотренных целях.

Существует риск несчастных случаев и ущерба имуществу (например, в результате падения динамика).

Во время установки динамика рядом с ним должны находиться только работники, выполняющие установку.

Падение деталей может стать причиной травм.

Условия эксплуатации

Не используйте динамик, если внутрь него может попасть вода, а также если он мокрый.

Соблюдайте особую осторожность при использовании динамика в условиях дождя, снега, на берегу моря, на набережных, в ваннах и душевых. Существует риск возгорания и поражения электрическим током.

Не устанавливайте динамик в описанных ниже условиях.

- В плохо вентилируемых местах с высоким уровнем влажности или сильной запыленностью.
- В местах, где присутствует большое количество маслосодержащего пара и дыма, например в кухнях и на производстве.
- На неустойчивых поверхностях, например с высоким уровнем вибрации или под уклоном.
- В местах использования горючих материалов, таких как спиртосодержащие вещества и аэрозольные инсектициды.
- В местах с повышенным теплообразованием, например рядом с осветительными приборами или нагревателями.
- Под прямыми лучами солнца и в местах с постоянным доступом воздуха извне.

Существует риск деформации и обесцвечивания корпуса, а также неполадок динамика, что в худшем случае может привести к его возгоранию или падению.

Используйте динамик в описанных ниже условиях эксплуатации.

Температура: от 5 °C до 35 °C

Влажность: 35–65 % (зимой) / 40–70 % (летом)

Способы эксплуатации

Не вставляйте в отверстия на лицевой стороне динамика металлические или легковоспламеняющиеся предметы и следите за тем, чтобы такие предметы не попадали в эти отверстия.

В случае попадания металлических или легковоспламеняющихся объектов внутрь динамика существует риск возгорания или поражения электрическим током. Будьте особенно осторожны в домах с детьми.

Не вскрывайте динамик и не вносите изменения в его внутреннюю конструкцию.

Внутренние компоненты динамика находятся под высоким напряжением, поэтому существует риск возгорания и поражения электрическим током. По вопросам осмотра, технического обслуживания и ремонта внутренних элементов динамика обращайтесь к дилеру.

Следите за тем, чтобы мелкие компоненты находились вне доступа маленьких детей.

Если ребенок проглотил мелкую деталь, срочно обратитесь к врачу.

Действия на случай неполадок

В случае возникновения неполадок незамедлительно прекратите использование динамика.

Если возникла какая-либо неполадка (например, дым, необычный запах или повреждение под воздействием воды или постороннего предмета), незамедлительно отключите питание используемого усилителя и организуйте ремонт. При использовании неисправного динамика существует риск возгорания и поражения электрическим током.

⚠ ОСТОРОЖНО

Установка

Перед подключением динамика к другому оборудованию отключите питание каждого прибора.

Внимательно прочтите руководство по эксплуатации к каждому из приборов и подключите оборудование в соответствии с инструкциями в руководствах. Для подключения оборудования используйте указанные виды кабелей. Существует риск поражения электрическим током.

После установки динамика на потолок проверьте его устойчивость.

Сразу же после установки динамика осмотрите его. Периодически проверяйте его устойчивость.

Не устанавливайте динамик за пределами помещения.

Динамик предназначен для использования только внутри помещений.

Будьте осторожны и не прищипывайте пальцы пружинными потолочными крепежными выступами.

Существует риск травм.

Способы эксплуатации

Не используйте динамик в описанных ниже условиях.

- Не допускайте превышения допустимой входной мощности.
- При существенном усилении высоких тонов с помощью графического эквалайзера не повышайте громкость слишком сильно.
- Не пытайтесь заставить динамик производить громкие звуки при использовании малоомощного усилителя.
- При наличии искажений звука не используйте динамик в течение длительного времени.

Это может привести к его повреждению, избыточному теплообразованию и возгоранию.

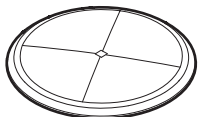
Прежде чем включать питание или переподключать динамик, снизьте громкость звука до минимума.

Если динамик неожиданно начнет издавать громкие звуки, существует риск потери слуха и возникновения других проблем.

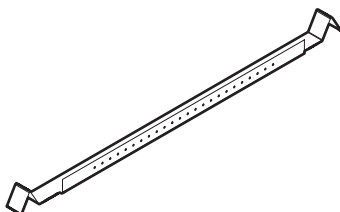
Не слушайте динамик на большой громкости в течение долгого времени. Существует риск потери слуха.

Проверка комплектности

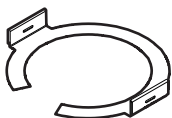
- Панель, 2 шт.



- Плоский кронштейн, 4 шт.



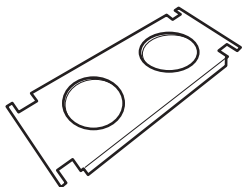
- С-образное кольцо, 2 шт.



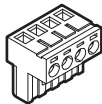
- Крепежный винт для С-образного кольца, 4 шт.



- Шаблон для вырезания отверстия в потолке, 1 шт.



- 4-контактный разъем «евроблок», 2 шт.
*Подключено к контакту динамика



- Руководство по установке и эксплуатации (данный документ), 2 шт.



- * Провод динамика и страховочный трос не входят в комплект.

Установка и подключение

⚠ ОСТОРОЖНО

- Не устанавливайте динамик на наклонный потолок.
- Максимальный допустимый размер проводов: 12 AWG
- Минимальный допустимый размер проводов: 22 AWG
- Убедитесь, что потолок, к которому вы крепите динамик, достаточно прочный и плотный. Даже если толщина достаточна, отдельно проверьте способность потолочной плиты выдержать соответствующий вес. Допустимая толщина потолка: 6–20 мм
- С-образные кольца не усиливают конструкцию. Они являются предохранительными механизмами. Если динамик устанавливается на недостаточно прочном потолке, со временем потолок может провиснуть.
- Укрепите потолок надлежащим образом, так как при работе динамика может возникать резонанс, что приведет к снижению качества звука.
- Не прикасайтесь к диафрагме динамика.

Прорезание отверстий в потолке

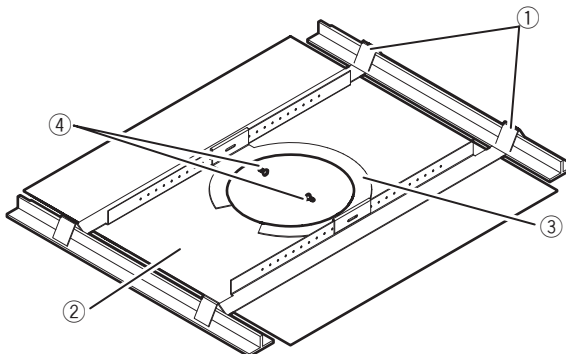
- Расположите шаблон из комплекта на потолке и отметьте место для отверстия. Вы также можете проделать монтажное отверстие в потолке с помощью кольцевой пилы.
Размеры отверстия
CM-C56T: диам. 226 мм
CM-C54T: диам. 187,5 мм

⚠ ОСТОРОЖНО

Для защиты глаз от пыли и мелких частиц используйте специальные очки.

Установка плоских кронштейнов и С-образного кольца

- 1 Вставьте два плоских кронштейна ① в поверхность потолка ② и расположите их, как показано на схеме.
- 2 Совместите С-образное кольцо ③ с отверстием в потолке ②, как показано на схеме, и установите его на плоские кронштейны. Затем прикрепите С-образное кольцо к плоским кронштейнам с помощью винтов ④.
Момент затяжки: 1 N·m

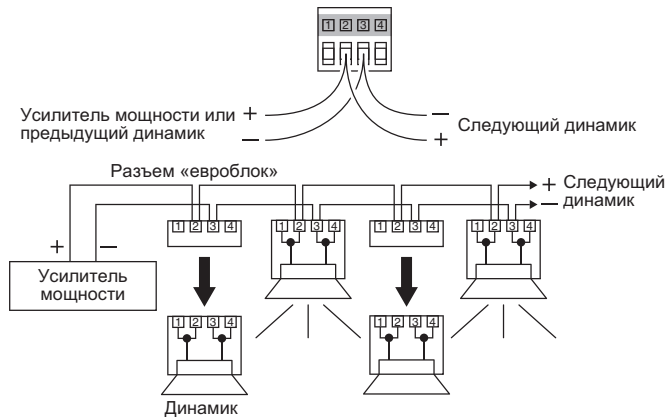


Подключение динамика

В этом разделе описана процедура подключения динамика к усилителю мощности и другим колонкам и динамикам. Коннектор для подключения этого динамика имеет четыре контакта. Контакт 1 – это положительный (+) полюс сквозного выхода, контакт 2 – положительный (+) полюс, контакт 3 – отрицательный (-) полюс, а контакт 4 – отрицательный (-) полюс сквозного выхода. Контакты 1 и 2 и контакты 3 и 4 соединены внутри динамика.

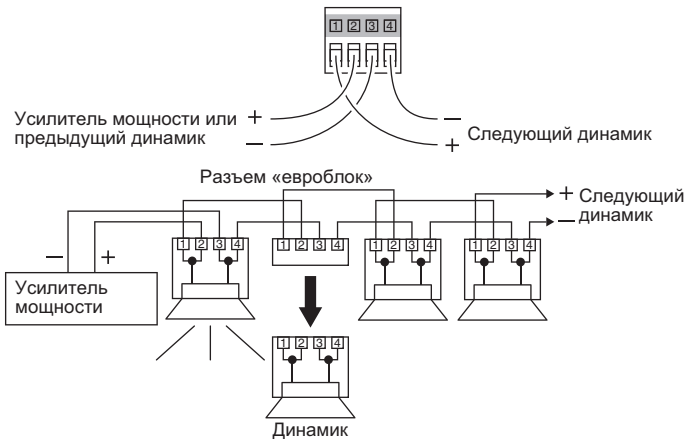
Параллельное подключение

Такое подключение обеспечивает нормальную работу других подключенных к контактам динамиков, даже если с одним из них возникнет проблема. Подключайте провода следующего динамика к тем же контактам, к которым подключен предыдущий динамик, как показано на схеме ниже.



Сквозное подключение

Такое подключение обеспечивает простую идентификацию проблемного динамика. Если отключить от какого-либо динамика разъем «евроблок», последующие динамики перестанут работать. Подключите провода предыдущего динамика к контактам «+» (контакт 2) и «-» (контакт 3) со стороны IN, а провода следующего динамика — к контактам «+» (контакт 1) и «-» (контакт 4) в сквозном подключении.

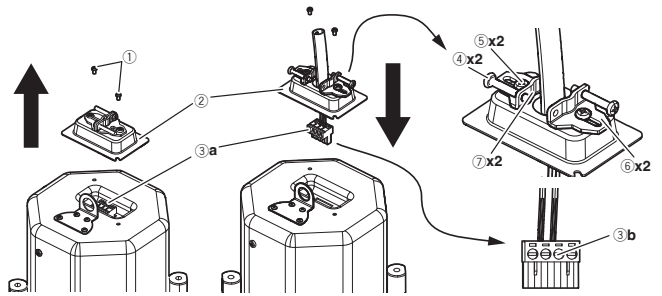


- 1 Ослабьте винт ① и снимите крышку ② разъема. Отсоедините разъем «евроблок» ③а от заднего разъема.
- 2 Снимите примерно 7 мм изоляции на конце провода динамика. Ослабьте винты ④ и ⑤, откройте втулку ⑥ кабеля и пропустите через нее провод динамика.
- 3 Подсоедините жилы провода динамика к контактам разъема «евроблок» и закрепите их, затянув винты ③b. Затем подсоедините разъем «евроблок» ③а к заднему разъему.

⚠ ОСТОРОЖНО

Плотно закрутите жилы провода динамика и проследите за тем, чтобы они не соприкасались. Существует риск повреждения динамика и усилителя мощности.

- 4 Затяните винт ①, чтобы закрепить крышку ② разъема.
- 5 Затяните винт ④, а затем – винт ⑤ таким образом, чтобы расположить провод динамика в пазе ⑥ втулки ⑦ кабеля.

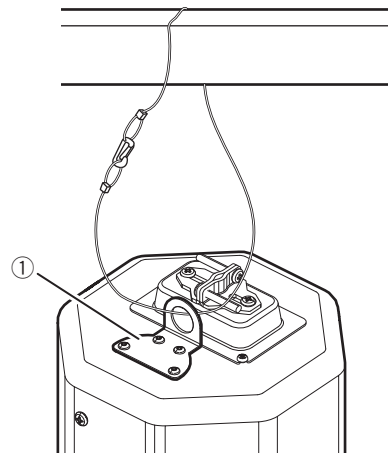


⚠ ОСТОРОЖНО

Не прищемите провод динамика плоской частью втулки ⑥ кабеля.

Закрепление страховочного троса

- Прикрепите страховочный трос (приобретается стороной, выполняющей монтаж) к кронштейну ①, а затем закрепите другой конец на опорной конструкции потолка.

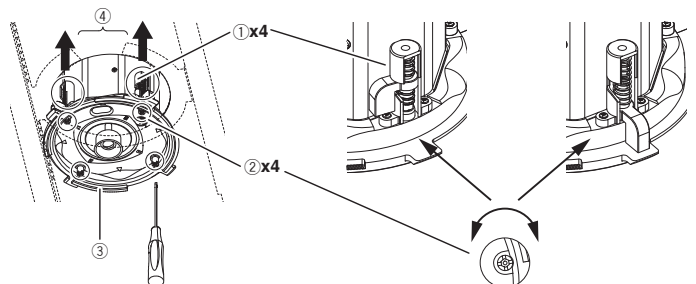


⚠ ОСТОРОЖНО

Обязательно примите меры для страховки динамика от падения. Используйте страховочный трос подходящей длины и прочности с учетом веса динамика и особенностей монтажа. Если трос окажется слишком длинным, при падении динамик может кого-то ударить.

Крепление динамика к потолку

- 1 Убедитесь, что потолочные крепежные выступы ① находятся в сложенном состоянии. Если потолочные крепежные выступы не сложены, вдавите крепежный винт ② на лицевой части динамика до упора с помощью крестообразной отвертки, а затем поверните его против часовой стрелки, чтобы убрать крепежные выступы.
- 2 Вставьте динамик вверх в отверстие до контакта рамы ③ вокруг его лицевой части с потолком.
- 3 Вдавите крепежный винт ② с помощью крестообразной отвертки и поверните его по часовой стрелке, чтобы выдвинуть четыре потолочных крепежных выступа ① и прикрепить динамик к потолочной плите.

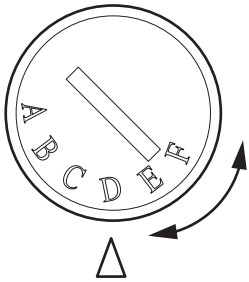


! ОСТОРОЖНО

- Убедитесь, что потолочные крепежные выступы ① выдвинуты из динамика и динамик надежно закреплен на потолочной плите. Если крепление недостаточно надежное, динамик может упасть с потолка.
- Поверните только крепежный винт ②. Не поворачивайте другие винты. Существует риск повреждения и падения динамика.
- Не вставляйте потолочные крепежные выступы ① в вырез для С-образного кольца ④.
- Не прищемите провод динамика рамой вокруг его лицевой части ③ или потолочными крепежными выступами ①.

Установка переключателя входного сигнала

- 1 Установите переключатель входного сигнала на лицевой части динамика в положение \triangle .
- 2 На рисунке показана конфигурация 60 Вт с подключением CM-C56T к линии на 100 В и конфигурация 30 Вт при подключении к линии на 70 В.



	CM-C56T		CM-C54T	
	100 V	70 V	100 V	70 V
A	16Ω	60 Вт	16Ω	30 Вт
B	ВЫКЛ.			
C	---	60 Вт	---	30 Вт
D	60 Вт	30 Вт	30 Вт	15 Вт
E	30 Вт	15 Вт	15 Вт	7,5 Вт
F	15 Вт	7,5 Вт	7,5 Вт	3,7 Вт

! ОСТОРОЖНО

- Используйте вариант расположения А, только если динамик подключен к усилителю с низким импедансом. Нарушение конфигурации может привести к повреждению динамика и усилителя мощности.
- Перед началом работы отключите питание усилителя мощности.

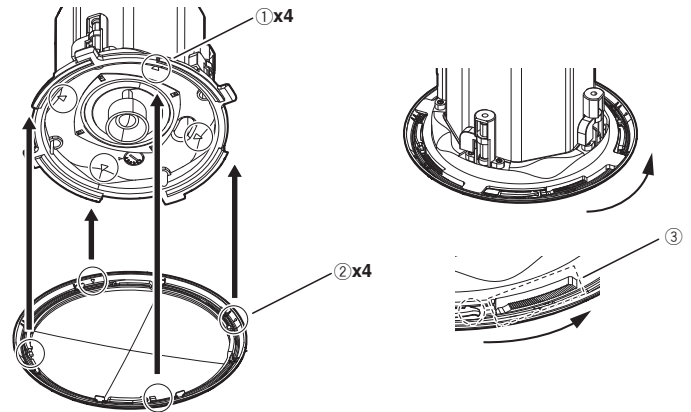
Установка панели

- 1 Установите на динамик панель, совместив символ \triangle ① на лицевой части динамика с символом \triangle ② с обратной стороны панели, и поверните ее против часовой стрелки.

! ОСТОРОЖНО

Непрочно установленная панель может отсоединиться от динамика и упасть. Плотно прижимая панель, поверните ее так, чтобы она встала в углубление ③.

- 2 Закрепите панель в той части, где углубление ③ издает звук.
- 3 Чтобы снять панель, поверните ее против часовой стрелки.



Товарные знаки и зарегистрированные товарные знаки

Pioneer DJ является зарегистрированным товарным знаком корпорации Pioneer и используется по лицензии.

© Pioneer DJ Corporation, 2019. Все права защищены.

Introdução

Obrigado por ter adquirido este produto de DJ da Pioneer. Leia cuidadosamente este manual de instalação e utilização antes de utilizar o produto. Preste especial atenção ao conteúdo da secção "Ler antes de utilizar". Guarde este manual de instalação e utilização num local seguro para que o possa consultar a qualquer momento.

Ler Antes de Utilizar (Importante)



Se quiser eliminar este produto, não o misture com resíduos domésticos gerais. Existe um sistema de recolha separado para produtos eletrónicos usados de acordo com a legislação que requer tratamento, recuperação e reciclagem adequados.

Os consumidores dos Estados-membros da UE, da Suíça e da Noruega podem entregar equipamentos eletrónicos fora de uso em determinadas instalações de recolha ou a um retalhista (se adquirirem um equipamento novo similar).

Nos países não mencionados acima, informe-se sobre o método de eliminação correto junto das autoridades locais.

Ao fazê-lo estará a garantir que o produto que já não tem utilidade para si é submetido a processos de tratamento, recuperação e reciclagem adequados, evitando-se assim potenciais efeitos negativos para o ambiente e a saúde humana.

K058b_B_Pt



AVISO

Instalação

Este altifalante deve ser instalado por um técnico de instalação profissional.

Existe o risco do altifalante cair. Peça a um técnico de instalação profissional com as qualificações e experiência necessárias para instalar o altifalante. Recomenda-se também que a instalação seja feita por duas ou mais pessoas. A Pioneer não se responsabiliza pelos acidentes ou danos resultantes de uma instalação ou montagem mal executada, utilização incorreta, modificações e/ou desastres naturais.

Quando pretender suspender o altifalante no teto ou noutra superfície, verifique previamente a resistência do local de instalação e o método de instalação. Em seguida, aplique medidas de segurança.

Aplique sempre medidas de segurança dobradas, tais como a utilização de um cabo antiqueda.

Utilize apenas os acessórios fornecidos com o altifalante. Não utilize os acessórios para qualquer outro fim.

Existe o risco de provocar um acidente ou danos materiais, se, por exemplo, o altifalante cair.

Utilize apenas os acessórios fornecidos com o altifalante. Não utilize os acessórios para qualquer outro fim.

Existe o risco de provocar um acidente ou danos materiais, se, por exemplo, o altifalante cair.

Ambiente de utilização

Não utilize o altifalante num ambiente onde possa entrar água no interior do altifalante ou no qual este possa ficar molhado.

Tenha especial cuidado quando utilizar o altifalante próximo de chuva, de neve, de costas/orlas marítimas, em casas de banho e em balneários. Existe o risco de incêndio e choque elétrico.

Não instale o altifalante nos ambientes indicados em seguida.

- Locais com pouca ventilação e humidade elevada ou uma grande quantidade de pó.
- Locais com uma grande quantidade de vapor gorduroso, tais como cozinhas ou fábricas.
- Locais instáveis, tais como os expostos a vibrações ou aqueles que são inclinados.
- Locais onde são utilizados materiais inflamáveis, tais como álcool e inseticidas em aerossol.
- Locais afetados pela produção de calor, tais como próximos de aparelhos de iluminação ou aquecedores.
- Locais expostos à luz solar direta e locais facilmente afetados pelo ar exterior.

Existe o risco de deformação ou descoloração da caixa e avaria do altifalante, que pode resultar em incêndio ou queda do altifalante no pior cenário possível.

Utilize o altifalante no ambiente seguinte.

Temperatura: 5°C a 35°C

Humidade: 35% a 65% (inverno) / 40% a 70% (verão)

Métodos de utilização

Não introduza nem deixe cair objetos metálicos ou inflamáveis nos orifícios da parte frontal do altifalante.

Existe o risco de incêndio ou choque elétrico se entrarem objetos metálicos ou inflamáveis para dentro do altifalante. Tenha especial cuidado em casas onde haja crianças.

Não abra nem modifique o interior do altifalante.

O interior do altifalante tem componentes com alta tensão e existe o risco de incêndio ou choque elétrico. A inspeção, manutenção e reparação do interior do altifalante deve ser feita pelo distribuidor.

Não deixe as peças pequenas ao alcance de crianças pequenas.

Se alguém engolir, acidentalmente, uma peça pequena, consulte imediatamente um médico.

Ações a tomar se ocorrerem problemas

Se ocorrer um problema, deixe imediatamente de usar o altifalante.

Se detetar um problema, como fumo ou um cheiro esquisito, ou se o altifalante ficar danificado devido à entrada de água ou de um objeto estranho, desligue imediatamente a corrente do amplificador que está a ser utilizado e solicite uma reparação. Existe o risco de incêndio ou choque elétrico se o altifalante for utilizado com problemas.



CUIDADO

Instalação

Se ligar o altifalante a outro equipamento, desligue o equipamento.

Leia cuidadosamente o manual de utilização de cada equipamento e ligue-o de acordo com o descrito no manual. Além disso, para ligar o equipamento, é necessário utilizar os cabos especificados. Existe o risco de choque elétrico.

Verifique a estabilidade do altifalante depois de o montar no teto.

Inspeccione o altifalante imediatamente depois de o montar. Além disso, verifique regularmente a estabilidade do altifalante.

Não instale o altifalante ao ar livre.

Este altifalante destina-se apenas a utilização no interior.

Tenha cuidado para não entalar os dedos nas abas de fixação no teto acionadas por mola.

Existe o risco de se ferir.

Métodos de utilização

Não utilize o altifalante nos estados indicados a seguir.

- Não exceda a entrada admissível.
- Se aumentar muito os sons agudos com um equalizador gráfico, não aumente demasiado o volume do som.
- Não force o altifalante a produzir sons altos com um amplificador de potência de saída baixa.
- Não utilize o altifalante durante um longo período de tempo com o som distorcido.
O altifalante pode ficar danificado, gerar calor e provocar um incêndio.

Baixe completamente o volume do som antes de ligar o altifalante e alterar a ligação.

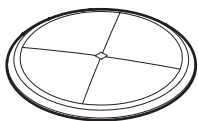
Se o altifalante emitir, subitamente, um som muito alto, existe o risco de provocar lesões auditivas e outros problemas.

Não ouça o altifalante com o volume de som muito alto durante um longo período de tempo.

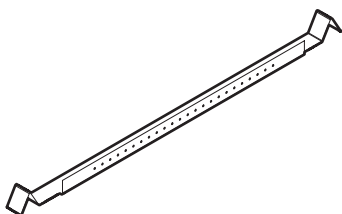
Pode ficar surdo.

Verificar os acessórios

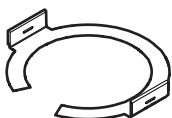
- Painel ×2



- Suporte para teto ×4



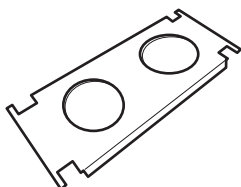
- Anel C-Ring ×2



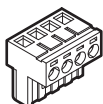
- Parafuso de fixação do anel C-Ring ×4



- Gabarito para abertura de orifício no teto ×1



- Conector Euroblock de 4 pinos ×2
*Aplicado ao terminal do altifalante



- Instruções de Instalação e Utilização (este documento) ×2



- * O cabo do altifalante e o cabo antiqueda não são fornecidos. Instalação e ligações

Instalação e ligações

⚠ CUIDADO

- Não monte o altifalante num teto inclinado.
- Maior tamanho de cabo suportado: 12 AWG
- Tamanho mínimo de fio suportado: 22 AWG
- Confirme se o teto no qual o altifalante será instalado tem força suficiente e a espessura necessária.
Mesmo que a espessura seja adequada, deve confirmar em separado a capacidade de carga da placa do teto. Espessura do teto de suporte: 6 a 20 mm (0,24 a 0,79 polegadas)
- Os anéis C-Ring não se destinam a reforço. Estes são mecanismos de segurança. Se o altifalante for instalado num teto fraco, este poderá ceder após um longo período de tempo.
- Reforce o teto conforme adequado pois a potência de saída do altifalante pode provocar ressonância no teto e afetar a qualidade do som.
- Tenha cuidado para não tocar no diafragma do altifalante.

Abrir o orifício no teto

- Posicione o gabarito fornecido no teto e desenhe a linha para o orifício. Pode também utilizar uma broca craniana e abrir o orifício de montagem no teto.

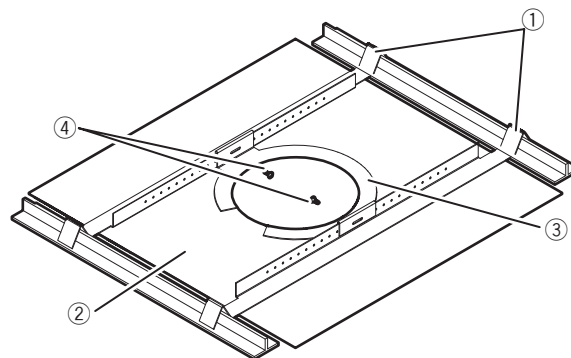
Dimensões do orifício
CM-C56T: ϕ 226 mm
CM-C54T: ϕ 187,5 mm

⚠ CUIDADO

Use óculos de segurança para evitar que pó e fragmentos lhe entrem para os olhos.

Instalar os suportes para teto e o anel C-Ring

- 1 Insira os dois suportes ① no teto ② e posicione-os como mostrado no diagrama.
 - 2 Alinhe o anel C-Ring ③ com o orifício no teto ② como mostrado no diagrama e encaixe-o nos suportes. Em seguida, fixe o anel C-Ring nos suportes de teto com os parafusos ④.
- Binário de aperto: 1 N·m



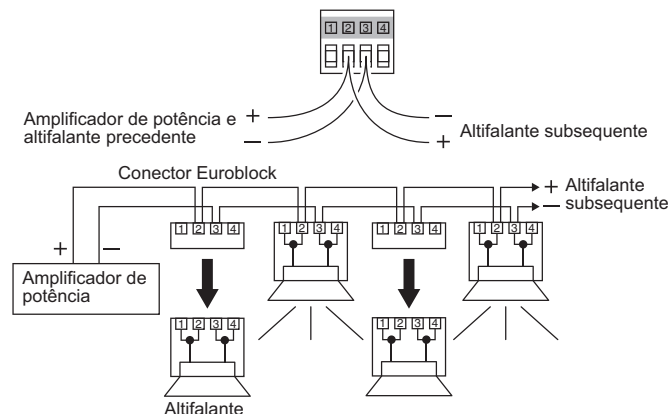
Ligar o altifalante

Esta secção descreve como ligar o altifalante ao amplificador de potência e a outros altifalantes. O conector deste altifalante é composto por quatro terminais. O terminal 1 é o terminal loop-through "+", o terminal 2 é o terminal "+", o terminal 3 é o terminal "-" e o terminal 4 é o terminal loop-through "-". Os terminais 1 e 2 e os terminais 3 e 4 estão ligados no interior do altifalante.

Ligação paralela

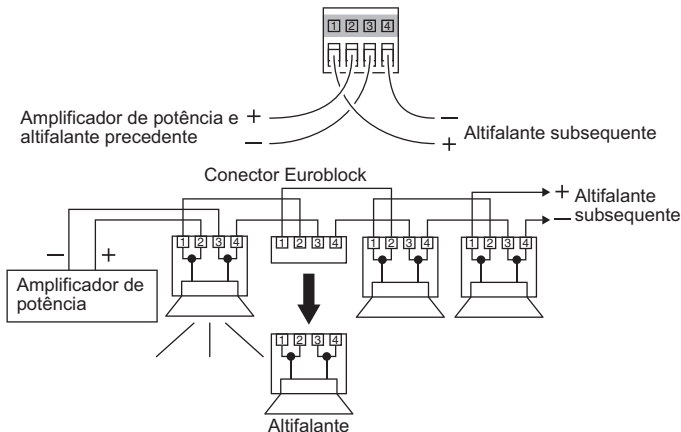
Este método de ligação permite que os outros altifalantes funcionem normalmente enquanto os fios respetivos estiverem ligados aos terminais, mesmo que um dos altifalantes esteja com problemas.

Ligue os fios do altifalante subsequente aos mesmos terminais que prendem os fios do altifalante precedente, como se mostra no diagrama abaixo.



Ligação loop-through

Este método de ligação permite identificar facilmente um altifalante que tenha um problema. Se o conector Euroblock estiver desligado de um altifalante, os altifalantes subsequentes deixam de funcionar. Ligue os fios do altifalante precedente a "+" (terminal 2) e "-" (terminal 3) de IN e os fios dos altifalantes subsequentes a "+" (terminal 1) e "-" (terminal 4) da ligação loop-through.



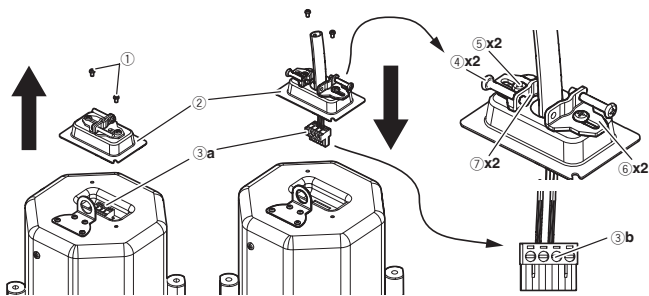
- 1 Desaperte o parafuso ① e retire a tampa do conector ②. Desligue o conector Euroblock ③a do conector posterior.
- 2 Descarte cerca de 7 mm (0,28 polegadas) do isolamento das pontas do cabo do altifalante. Desaperte os parafusos ④ e ⑤, abra a bucha para cabos ⑥ e passe o cabo do altifalante pela bucha.
- 3 Insira os condutores do cabo do altifalante nos terminais do conector Euroblock e, em seguida, fixe os condutores apertando os parafusos ③b. Em seguida, ligue o conector Euroblock ③a ao conector posterior.



CUIDADO

Tenha cuidado para prender firmemente os condutores do cabo do altifalante e evitar que os condutores entrem em contacto uns com os outros. Existe o risco de danificar o altifalante e o amplificador de potência.

- 4 Aperte o parafuso ① para fixar a tampa do conector ②.
- 5 Aperte o parafuso ④ e o parafuso ⑤ por esta ordem para que o cabo do altifalante encaixe na ranhura ⑦ da bucha para cabos ⑥.

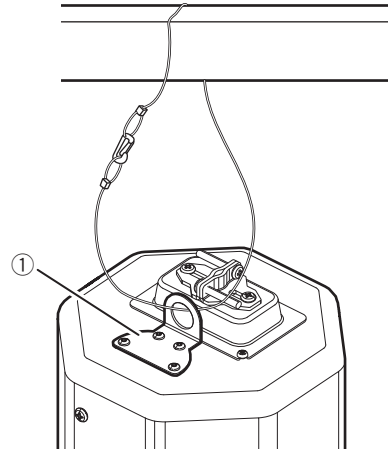


CUIDADO

Tenha cuidado para que a parte plana da bucha para cabos ⑥ não esmague o cabo do altifalante.

Aplicar o cabo antiqueda

- Aplique o cabo antiqueda (adquirido através do técnico de instalação) no suporte ① e, em seguida, prenda a outra extremidade à moldura do teto.

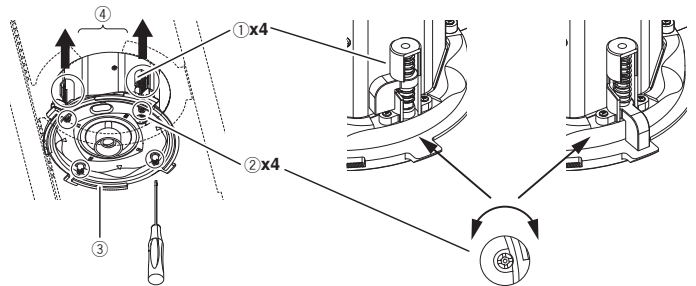


CUIDADO

Aplique sempre medidas de prevenção contra quedas para o altifalante. Utilize um cabo antiqueda com o comprimento e resistência adequados tendo em conta o peso do altifalante e o estado da instalação. Se o cabo for demasiado comprido, o altifalante pode cair, mesmo por cima de pessoas.

Fixar o altifalante no teto

- 1 Confirme se as abas de fixação no teto ① se encontram na posição recolhida. Se as abas de fixação no teto não se encontrarem na posição recolhida, empurre o parafuso de fixação ② existente na parte frontal do altifalante todo para dentro com uma chave de fendas e, em seguida, rode o parafuso no sentido contrário aos ponteiros do relógio para recolher as abas de fixação no teto.
- 2 Levante o altifalante em direção ao orifício até à moldura ③ existente à volta da parte frontal do altifalante entrar em contacto com o teto.
- 3 Empurre o parafuso de fixação ② para dentro com uma chave de fendas e, em seguida, rode o parafuso no sentido dos ponteiros do relógio para mover as quatro abas de fixação no teto ① e fixar o altifalante na placa do teto.

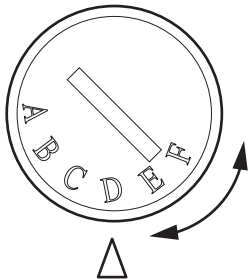


CUIDADO

- Confirme se as abas de fixação no teto ① saíram para fora do altifalante e se o altifalante está fixado firmemente na placa do teto. Se o altifalante não estiver devidamente fixado na placa do teto, poderá cair do teto.
- Rode apenas o parafuso de fixação ②. Não rode nenhum outro parafuso. Existe o risco de ocorrerem danos e de o altifalante cair.
- Não fixe as abas de fixação no teto ① na área cortada do anel C-ring ④.
- Tenha cuidado para que o cabo do altifalante não fique esmagado pela moldura ③ existente à volta da parte frontal do altifalante e pelas abas de fixação no teto ①.

Definir a seleção de entrada

- 1 Posicione o interruptor de seleção de entrada existente na parte frontal do altifalante no símbolo \triangle .
- 2 A imagem mostra uma definição de 60-W quando o CM-C56T está ligado a uma linha de 100-V e uma definição de 30-W quando está ligado a uma linha de 70-V.



	CM-C56T		CM-C54T	
	100 V	70 V	100 V	70 V
A	16Ω	60 W	16Ω	30 W
B	DESATIVADO			
C	---	60 W	---	30 W
D	60 W	30 W	30 W	15 W
E	30 W	15 W	15 W	7,5 W
F	15 W	7,5 W	7,5 W	3,7 W

CUIDADO

- Utilize a posição A apenas quando usar o altifalante com um amplificador de baixa impedância. O altifalante e o amplificador de potência podem ficar danificados se a definição estiver errada.
- Desligue o amplificador de potência antes de efetuar operações.

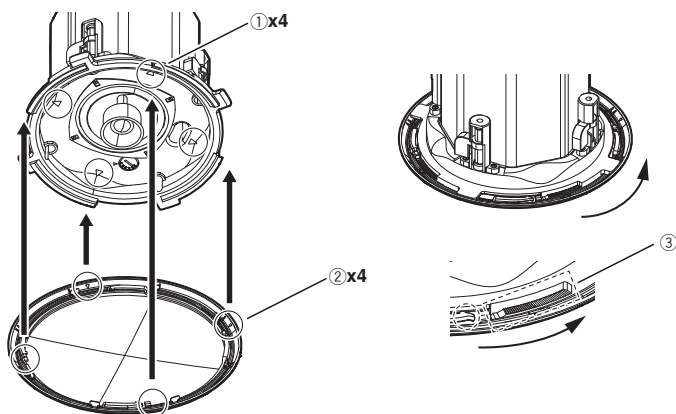
Aplicar o painel

- 1 Encaixe o painel no altifalante alinhando o símbolo \triangle ① existente na parte frontal do altifalante com o símbolo \triangle ② existente na parte posterior do painel e, em seguida, empurre-o e rode no sentido dos ponteiros do relógio.

CUIDADO

O painel pode cair se não for devidamente encaixado no altifalante. Rode firmemente o painel até que fique ajustado com o recorte serrilhado ③.

- 2 Fixe o painel na área onde o recorte serrilhado ③ faz um ruído.
- 3 Para retirar o painel, rode-o no sentido contrário ao dos ponteiros do relógio.



Marcas comerciais e marcas comerciais registradas

"Pioneer DJ" é uma marca comercial da Pioneer Corporation e usada sob licença.

© 2019 Pioneer DJ Corporation. Todos os direitos reservados.

Einführung

Vielen Dank, dass Sie sich für dieses Pioneer DJ-Produkt entschieden haben. Lesen Sie unbedingt den Abschnitt „Vor dem Gebrauch lesen“, bevor Sie das Produkt verwenden. Lesen Sie zudem die Installations- und Bedienungsanleitung, die auf der Pioneer DJ-Support-Site verfügbar ist, die über folgende URL oder den folgenden QR-Code aufgerufen werden kann. Bewahren Sie die Installations- und Bedienungsanleitung an einem sicheren Ort auf, um jederzeit darauf zugreifen zu können.

<http://pioneerproaudio.com>



Vor dem Gebrauch lesen (wichtig)



WARNUNG

Installation

Dieser Lautsprecher sollte von einem Fachmann installiert werden.

Anderenfalls besteht die Gefahr, dass der Lautsprecher herunterfällt. Beauftragen Sie einen professionellen Monteur, der für die Installation des Lautsprechers ausreichend qualifiziert ist. Die Installation sollte zudem von zwei oder mehr Personen ausgeführt werden.

Pioneer übernimmt keine Haftung für Unfälle und Schäden, die auf fehlerhafte Installation oder Montage, Missbrauch, Modifikationen und/oder Naturkatastrophen zurückzuführen sind.

Wenn der Lautsprecher durch Aufhängen an der Decke oder einer anderen Oberfläche installiert wird, überprüfen Sie zuerst die Stärke des Montageortes sowie die Installationsmethode und ergreifen Sie dann entsprechende Sicherheitsmaßnahmen.

Implementieren Sie immer redundante Sicherheitsmaßnahmen, z. B. durch Verwendung eines Absturzsicherungsdrahtes.

Verwenden Sie nur das im Lieferumfang des Lautsprechers enthaltene Zubehör. Verwenden Sie das Zubehör nicht für andere Zwecke.

Es besteht die Gefahr von Unfällen und Schäden aufgrund des Herabfallens des Lautsprechers.

Während der Installationsarbeiten sollten sich ausschließlich die dafür zuständigen Monteure in der Nähe des Lautsprechers aufhalten.

Es besteht Verletzungsgefahr, sollten Teile herunterfallen.

Nutzungsumgebung

Verwenden Sie den Lautsprecher nicht in einer Umgebung, wo Wasser eindringen kann oder wo er nass werden kann.

Seien Sie besonders vorsichtig, wenn Sie den Lautsprecher in der Nähe von Regen, Schnee, Küsten, Ufern, Bädern und Duschräumen verwenden. Es besteht Feuer- und Stromschlaggefahr.

Installieren Sie den Lautsprecher nicht an den folgenden Orten:

- Schlecht belüftete Orte mit hoher Luftfeuchtigkeit oder hohem Staubgehalt.
- Orte mit viel Ölnebel, beispielsweise in Küchen oder Fabriken.
- Instabile Orte, wie solche, die Vibrationen ausgesetzt oder geneigt sind.
- Orte, an denen brennbare Materialien verwendet werden, wie Alkohole und Aerosolinsektizide.
- Orte, die von Wärmeerzeugung betroffen sind, z. B. in der Nähe von Lampen oder Heizgeräten.
- Orte, die direktem Sonnenlicht ausgesetzt sind, und die stark von der Außenluft beeinflusst werden.

Es besteht die Gefahr der Verformung oder Verfärbung des Gehäuses und des Ausfalls des Lautsprechers, was im schlimmsten Fall zum Brand oder zum Herunterfallen des Lautsprechers führen kann.

Verwenden Sie den Lautsprecher in der folgenden Umgebung:

Temperatur: 5 °C bis 35 °C

Luftfeuchtigkeit: 35 % bis 65 % (Winter) / 40 % bis 70 % (Sommer)

Nutzungsmethoden

Führen Sie keine metallenen oder brennbaren Gegenstände in die Öffnungen an der Vorderseite des Lautsprechers ein und verhindern Sie, dass solche Gegenstände in die Öffnungen fallen könnten.

Es besteht Brand- oder Stromschlaggefahr, wenn metallene oder brennbare Gegenstände in den Lautsprecher gelangen. Seien Sie besonders in Haushalten mit Kindern vorsichtig.

Öffnen oder modifizieren Sie das Innere des Lautsprechers nicht.

Im Inneren befinden sich Hochspannungskomponenten und es besteht Brand- und Stromschlaggefahr. Beauftragen Sie Ihren Händler mit der Inspektion, Wartung und Reparatur der Innenteile des Lautsprechers.

Bewahren Sie kleine Teile außerhalb der Reichweite von Kleinkindern auf.

Konsultieren Sie umgehend einen Arzt, wenn versehentlich ein kleines Teil verschluckt worden ist.

Vorgehen im Problemfall

Wenn ein Problem auftritt, stellen Sie sofort die Verwendung des Lautsprechers ein.

Wenn ein Problem auftritt, wie z. B. Rauch, ungewöhnlicher Geruch oder wenn der Lautsprecher durch eindringendes Wasser oder einen Fremdkörper beschädigt worden ist, schalten Sie den verwendeten Verstärker sofort aus und beauftragen Sie eine Reparatur. Wenn der Lautsprecher bei einem Problem weiterhin verwendet wird, besteht Brand- und Stromschlaggefahr.



VORSICHT

Installation

Wenn Sie den Lautsprecher an ein anderes Gerät anschließen, schalten Sie die involvierten Geräte aus.

Lesen Sie die Bedienungsanleitung für jedes Gerät sorgfältig durch und schließen Sie das Gerät gemäß der Beschreibung im Handbuch an. Verwenden Sie zum Anschließen des Geräts außerdem die angegebenen Kabel. Es besteht Stromschlaggefahr.

Überprüfen Sie die Stabilität des Lautsprechers nach der Montage an der Decke.

Überprüfen Sie den Lautsprecher unmittelbar nach der Montage. Überprüfen Sie außerdem regelmäßig die Stabilität des Lautsprechers.

Installieren Sie den Lautsprecher nicht im Freien.

Dieser Lautsprecher ist nur für den Gebrauch in Innenräumen bestimmt.

Achten Sie darauf, Ihre Finger nicht in den federbelasteten Deckenmontagelaschen einzuklemmen.

Es besteht Verletzungsgefahr.

Nutzungsmethoden

Verwenden Sie den Lautsprecher nicht wie folgt:

- Überschreiten Sie nicht die zulässige Eingabe.
- Wenn Sie hohe Töne mit einem Grafik-Equalizer erheblich verstärken, erhöhen Sie die Lautstärke nicht zu stark.
- Erzwingen Sie keine hohe Tonausgabe über den Lautsprecher mit einem Verstärker mit niedriger Ausgangsleistung.
- Verwenden Sie den Lautsprecher nicht über einen längeren Zeitraum, wenn der Klang verzerrt ist.

Der Lautsprecher kann beschädigt werden, was zu einer Hitzeentwicklung und einem Brand führen könnte.

Stellen Sie die geringste Lautstärke ein, bevor Sie die Stromversorgung einschalten und die Verbindung ändern.

Anderenfalls besteht die Gefahr von Hörverlust und anderen Problemen, wenn der Lautsprecher plötzlich einen lauten Ton erzeugt.

Hören Sie mit dem Lautsprecher nicht über längere Zeit Töne mit hoher Lautstärke.

Es besteht die Gefahr von Hörverlust.

© 2019 Pioneer DJ Corporation. Alle Rechte vorbehalten.

Introduzione

Grazie per aver acquistato questo prodotto Pioneer DJ. Leggere attentamente la sezione "Da leggere prima dell'uso" prima di utilizzare il prodotto. Inoltre, leggere il manuale di installazione e di funzionamento sul sito di assistenza Pioneer DJ, accessibile tramite l'URL e il codice QR riportati di seguito. Conservare il manuale di installazione e di funzionamento in un luogo sicuro per poterlo consultare in qualsiasi momento.
<http://pioneerproaudio.com>



Da leggere prima dell'uso (importante)



AVVERTENZA

Installazione

I diffusori devono essere installati da un installatore professionista.

In caso contrario, potrebbero cadere. Per installare i diffusori, rivolgersi a un installatore con esperienza e competenze adeguate. Per l'installazione si consiglia l'impiego di almeno due persone.

Pioneer non è responsabile di incidenti e danni causati da installazione o montaggio non corretti, uso errato, modifiche e/o disastri naturali.

Quando i diffusori vengono installati sospesi al soffitto o a un'altra superficie, controllare preventivamente la solidità della posizione di installazione e l'adeguatezza del metodo di installazione, quindi stabilire le misure di sicurezza.

Stabilire sempre misure di sicurezza di riserva, come l'uso di un cavo anticaduta.

Utilizzare esclusivamente gli accessori inclusi con i diffusori. Non utilizzare gli accessori per altri scopi.

In caso contrario esiste il rischio di incidenti e danni, causati ad esempio dalla caduta dei diffusori.

Durante l'installazione, solo i tecnici addetti devono avvicinarsi ai diffusori. Sussiste il pericolo di infortuni dovuti alla caduta dei componenti.

Ambiente d'uso

Non utilizzare i diffusori in ambienti soggetti ad acqua o umidità.

Adottare particolare attenzione se si usano i diffusori in ambienti soggetti a pioggia, neve, mareggiate o esondazioni o in bagni e spogliatoi. Altrimenti, potrebbero verificarsi incendi o scosse elettriche.

Non usare i diffusori nei seguenti ambienti.

- Luoghi scarsamente ventilati con elevata umidità o accumuli di polvere.
- Luoghi con elevata concentrazione di fumi oleosi, come cucine o fabbriche.
- Ambienti instabili, come luoghi soggetti a vibrazioni o in pendenza.
- Ambienti dove vengono utilizzati materiali infiammabili, come sostanze alcoliche e insetticidi aerosol.
- Ambienti soggetti alla generazione del calore, come luoghi in prossimità di sostegni di illuminazione o caloriferi.
- Luoghi soggetti alla luce solare diretta o luoghi esposti ad aria esterna.

Sussiste il pericolo di deformazione o scolorimento delle casse e guasti dei diffusori, che potrebbero provocare, nel caso peggiore, incendi o la caduta dei diffusori.

Usare i diffusori nei seguenti ambienti.

Temperatura: da 5°C a 35°C

Umidità: dal 35% al 65% (inverno) / dal 40% al 70% (estate)

Metodi d'uso

Non inserire oggetti metallici o infiammabili nei fori sul lato anteriore dei diffusori ed evitare la caduta di oggetti nei fori.

Se oggetti metallici o infiammabili penetrano nei diffusori, sussiste il pericolo di incendi o scosse elettriche. Prestare particolare attenzione nelle abitazioni in cui sono presenti bambini.

Non aprire o modificare le parti interne dei diffusori.

Le parti interne contengono componenti ad alta tensione, con il pericolo di incendi e scosse elettriche. Per l'ispezione, la manutenzione e la riparazione delle parti interne dei diffusori, contattare il rivenditore.

Non tenere i piccoli componenti alla portata dei bambini.

In caso di ingestione accidentale di piccoli componenti, contattare immediatamente un medico.

Operazioni in caso di problemi

Interrompere immediatamente l'uso dei diffusori in caso di problemi.

In caso di problemi come fumo, odori insoliti, danni ai diffusori per l'ingresso di acqua o corpi estranei, spegnere immediatamente l'amplificatore in uso e richiedere una riparazione. Se i diffusori vengono utilizzati in presenza di problemi, sussiste il pericolo di incendi e scosse elettriche.



ATTENZIONE

Installazione

Quando si collegano i diffusori ad altre apparecchiature, spegnere tutte le apparecchiature.

Leggere attentamente il manuale utente di ogni apparecchiatura e collegare le apparecchiature come descritto nel manuale. Inoltre, utilizzare i cavi specificati per collegare le apparecchiature. Sussiste il pericolo di scosse elettriche.

Controllare la stabilità dei diffusori dopo averli montati al soffitto.

Ispezionare i diffusori immediatamente dopo averli montati. Inoltre, controllare regolarmente la stabilità dei diffusori.

Non installare i diffusori in esterni.

I diffusori sono intesi esclusivamente per interni.

Prestare attenzione a non schiacciare le dita nelle linguette a molla di fissaggio al soffitto.

Sussiste il pericolo di infortuni.

Metodi d'uso

Non utilizzare i diffusori nei seguenti stati.

- Non superare la potenza in ingresso massima consentita.
- Se si aumentano molto i toni alti con un equalizzatore grafico, non aumentare eccessivamente il volume.
- Non forzare i diffusori emettendo suoni ad alto volume con un amplificatore a bassa potenza.
- Se l'audio è distorto, non utilizzare i diffusori per un periodo prolungato. I diffusori potrebbero danneggiarsi, generando calore e provocando incendi.

Abbassare completamente il volume prima di accendere l'impianto e cambiare i collegamenti.

Se i diffusori emettono improvvisamente suoni ad alto volume, sussiste il pericolo di perdita dell'udito e altri problemi.

Non ascoltare i diffusori ad alto volume per un periodo prolungato.

Sussiste il pericolo di perdita dell'udito.

© 2019 Pioneer DJ Corporation. Tutti i diritti riservati.

Inleiding

Hartelijk dank voor uw keuze voor dit product van Pioneer DJ. Lees vóór gebruik het gedeelte "Lees dit vóór gebruik". Lees ook de installatie- en gebruikershandleiding op de ondersteuningsite van Pioneer DJ, die u via de volgende URL en QR-code kunt vinden. Bewaar de installatie- en gebruikershandleiding op een veilige plek zodat u deze later altijd weer kunt raadplegen.

<http://pioneerproaudio.com>



Lees dit vóór gebruik (belangrijk)



WAARSCHUWING

Installatie

Deze luidspreker moet door een professionele installateur geïnstalleerd worden.

Er bestaat risico dat de luidspreker kan vallen. Laat de installatie uitvoeren door een professionele installateur met voldoende kwalificaties en ervaring voor deze luidspreker. We raden ook aan om de installatie door twee of meer personen te laten uitvoeren.

Pioneer is niet verantwoordelijk voor ongevallen en schade als gevolg van een gebrekkige installatie of montage, verkeerd gebruik, wijzigingen en/of natuurrampen.

Als de luidspreker wordt geïnstalleerd door deze aan het plafond of een ander oppervlak te hangen, controleer dan eerst de sterkte van de installatieplaats en de installatiewijze, en neem vervolgens passende veiligheidsmaatregelen. Neem altijd redundante veiligheidsmaatregelen, zoals het gebruik van een valpreventiekabel.

Gebruik alleen de accessoires die met de luidspreker geleverd worden. Gebruik de accessoires niet voor andere doeleinden.

Er bestaat risico op ongevallen en schade, bijvoorbeeld als de luidspreker valt.

Aleen de personen die de luidspreker installeren, mogen tijdens de installatie in de buurt van de luidspreker komen.

Er bestaat risico op letsel als onderdelen vallen.

Gebruiksomgeving

Gebruik de luidspreker niet in een omgeving waar water erin kan komen of waar deze nat kan worden.

Wees in het bijzonder voorzichtig als de luidspreker wordt gebruikt in de buurt van regen, sneeuw, een kustgebied, watterand, badkamer of doucheruimte. Er bestaat risico op brand en elektrische schok.

Installeer de luidspreker niet in de volgende omgevingen.

- Slecht geventileerde plaatsen met een hoge vochtigheidsgraad of veel stof.
- Plaatsen waar veel olieachtige damp voorkomt, zoals in keukens of fabrieken.
- Onstabiele plaatsen, zoals waar vibraties kunnen voorkomen of die schuin staan.
- Plaatsen waar brandbaar materiaal wordt gebruikt, bijvoorbeeld alcohol en gasvormige insecticiden.
- Plaatsen die worden blootgesteld aan warmte, bijvoorbeeld in de buurt van lampen of verwarmingsapparaten.
- Plaatsen die worden blootgesteld aan direct zonlicht en plaatsen die gemakkelijk worden blootgesteld aan buitenlucht.

Er bestaat een risico op vervorming of verkleuring van de behuizing en defecten aan de luidspreker, wat in het slechtste geval kan resulteren in brand of vallen van de luidspreker.

Gebruik de luidspreker in de volgende omgeving.

Temperatuur: 5 °C tot 35 °C

Vochtigheid: 35% tot 65% (winter), 40% tot 70% (zomer)

Gebruikswijze

Steek geen metalen of ontvlambare voorwerpen in de openingen aan de voorkant de luidspreker, en zorg ervoor dat zulke voorwerpen niet in de openingen kunnen vallen.

Er bestaat risico op brand of een elektrische schok als metalen of ontvlambare voorwerpen in de luidspreker terecht komen. Wees in het bijzonder voorzichtig in een omgeving met kinderen.

Open de luidspreker niet en wijzig de binnenkant niet.

Aan de binnenkant bevinden zich hoogspanningscomponenten en er bestaat risico op brand en een elektrische schok. Laat inspectie, onderhoud en reparatie van de binnenkant van de luidspreker door uw handelaar uitvoeren.

Laat geen kleine onderdelen binnen het bereik van kleine kinderen komen.

Raadpleeg onmiddellijk een arts als een klein onderdeel per ongeluk wordt ingeslikt.

Handelingen bij problemen

Als een probleem optreedt, stop dan onmiddellijk het gebruik van de luidspreker.

Als een probleem optreedt, bijvoorbeeld rookvorming, afgifte van een ongewone geur, of beschadiging van de luidspreker door het binnentreden van water of een vreemd voorwerp, schakel dan onmiddellijk de gebruikte versterker uit en laat een reparatie uitvoeren. Er bestaat risico op brand en een elektrische schok als de luidspreker gebruikt wordt terwijl er een probleem is.



VOORZICHTIG

Installatie

Als u de luidspreker met andere apparatuur verbindt, zet elk apparaat dan uit. Lees aandachtig de gebruikershandleiding van elk apparaat en sluit alle apparaten aan volgens de handleiding. Gebruik voorts de voorgeschreven kabels om apparaten te verbinden. Er bestaat risico op een elektrische schok.

Controleer de bevestiging en stabiliteit van de luidspreker nadat u deze aan het plafond hebt bevestigd.

Inspecteer de luidspreker onmiddellijk na de montage. Controleer ook regelmatig de bevestiging en stabiliteit van de luidspreker.

Installeer de luidspreker niet buiten.

Deze luidspreker is uitsluitend bedoeld voor gebruik binnenshuis.

Let op dat uw vingers niet ingeklemd raken door de veerkracht van de lipjes voor plafondbevestiging.

Er bestaat risico op letsel.

Gebruikswijze

Gebruik de luidspreker niet in de volgende situaties.

- Overschrijd de toelaatbare ingang niet.
- Verhoog het volume niet te veel als hoge geluiden erg versterkt worden met een grafische equalizer.
- Forceer de luidspreker niet om lage geluiden uit te voeren met een versterker met laag vermogen.
- Gebruik de luidspreker niet gedurende langere tijd als het geluid vervormd is. De luidspreker kan beschadigd zijn of beschadigd worden, met hitteontwikkeling en brand tot gevolg.

Zet het volume helemaal naar beneden voordat u het systeem aanzet en een verbinding wijzigt.

Er bestaat risico op gehoorverlies en andere problemen als de luidspreker plotseling hard lawaai maakt.

Luister niet gedurende lange tijd naar de luidspreker als het volume hoog staat.

Er bestaat risico op gehoorverlies.

© 2019 Pioneer DJ Corporation. Alle rechten voorbehouden.

Introducción

Gracias por adquirir este producto Pioneer DJ. Preste especial atención al contenido que se describe en "Leer antes del uso" antes de utilizar este producto. Lea también el manual de instalación y uso del sitio de asistencia técnica de Pioneer DJ accesible desde la siguiente dirección URL y el siguiente código QR. Guarde este manual de instalación y uso en un lugar seguro para poder consultarlo en cualquier momento.
<http://pioneerproaudio.com>



Leer antes de del uso (importante)



ADVERTENCIA

Instalación

Este altavoz debe ser instalado por un instalador profesional.

Existe el riesgo de que el altavoz caiga. Encargue la instalación a un instalador profesional que posea los conocimientos y la experiencia suficientes para instalar el altavoz. También se recomiendan dos o más trabajadores para la instalación. Pioneer no se hace responsable de los accidentes y daños que resulten de una instalación o montaje deficiente, un mal uso, modificaciones y/o desastres naturales.

Cuando el altavoz se instale suspendiéndolo del techo o de otra superficie, compruebe primero la resistencia del lugar de instalación y el método de instalación y, a continuación, aplique medidas de seguridad.

Aplique siempre medidas de seguridad redundantes, como el uso de un cable de prevención de caídas.

Utilice únicamente los accesorios que se incluyen con el altavoz. No utilice los accesorios para ningún otro fin.

Existe el riesgo de accidentes y daños, por ejemplo debidos a la caída del altavoz.

Solo los trabajadores que instalan el altavoz deben estar cerca de este durante la instalación.

Existe el riesgo de lesiones si caen piezas.

Entorno de uso

No utilice el altavoz en un entorno en el que el agua pueda penetrar en él o en el que pueda mojarse.

Tenga especial cuidado cuando utilice el altavoz cerca de lluvia, nieve, playas, paseos marítimos, baños y duchas. Existe el riesgo de incendio y de descarga eléctrica.

No instale el altavoz en los siguientes entornos.

- Lugares mal ventilados con mucha humedad o con una gran cantidad de polvo.
- Lugares con una gran cantidad de humo impregnado de aceite, como el interior de cocinas o fábricas.
- Lugares inestables, como los expuestos a vibraciones o los que están inclinados.
- Lugares en los que se utilizan materiales inflamables, como alcoholes e insecticidas en aerosol.
- Lugares afectados por la generación de calor, como por ejemplo, cerca de dispositivos de iluminación o calentadores.
- Lugares expuestos a la luz del sol directa y lugares fácilmente afectados por el aire exterior.

Existe el riesgo de deformación o decoloración de la caja y de fallo del altavoz, lo que puede provocar un incendio o la caída del altavoz en el peor de los casos.

Utilice el altavoz en el siguiente entorno.

Temperatura: de 5 °C a 35 °C.

Humedad: del 35 % al 65 % (invierno) / del 40 % al 70 % (verano)

Métodos de uso

No inserte objetos metálicos o inflamables en los orificios de la parte frontal del altavoz y no permita que dichos objetos caigan en los orificios.

Existe un riesgo de incendio o descarga eléctrica si entran objetos metálicos o inflamables en el interior del altavoz. Tenga especial cuidado en los hogares con niños.

No abra ni modifique el interior del altavoz.

El interior tiene componentes de alta tensión y existe el riesgo de incendio y descarga eléctrica. Solicite a su distribuidor la inspección, el mantenimiento y la reparación del interior del altavoz.

No coloque las piezas pequeñas al alcance de los niños pequeños.

En caso de ingestión accidental de una pieza pequeña, consulte inmediatamente con un médico.

Acciones en caso de que surjan problemas

Deje de usar el altavoz inmediatamente si se produce un problema.

Si se produce un problema, como humo, un olor inusual o si el altavoz se daña por la entrada de agua o de un objeto extraño, desconecte inmediatamente la alimentación del amplificador que se utiliza y solicite una reparación. Existe el riesgo de incendio y de descarga eléctrica si se utiliza el altavoz cuando hay un problema.



PRECAUCIÓN

Instalación

Cuando conecte el altavoz a otro equipo, desconecte la alimentación de cada equipo.

Lea detenidamente el manual del usuario de cada equipo y conecte el equipo de acuerdo con la descripción del manual. Además, utilice los cables especificados para conectar el equipo. Existe el riesgo de una descarga eléctrica.

Compruebe la estabilidad del altavoz después de montarlo en el techo.

Inspeccione el altavoz inmediatamente después de montarlo. Asimismo, compruebe periódicamente la estabilidad del altavoz.

No instale el altavoz en exteriores.

Este altavoz es solo para uso en interiores.

Tenga cuidado de no aplastarse los dedos en las lengüetas de fijación al techo con resortes.

Existe el riesgo de lesiones.

Métodos de uso

No utilice el altavoz en los siguientes estados.

- No exceda la entrada permitida.
- Si aumenta considerablemente los sonidos agudos con un ecualizador gráfico, no aumente demasiado el volumen.
- No fuerce al altavoz a producir sonidos fuertes con un amplificador de baja potencia de salida.
- No utilice el altavoz durante un largo periodo de tiempo cuando el sonido esté distorsionado.

El altavoz puede dañarse y provocar la generación de calor y fuego.

Baje el volumen completamente antes de conectar la alimentación y cambiar la conexión.

Existe el riesgo de pérdida de audición y otros problemas si el altavoz produce repentinamente un sonido fuerte.

No escuche el altavoz a un volumen alto durante un largo periodo de tiempo.

Existe un riesgo de pérdida de audición.

© 2019 Pioneer DJ Corporation. Todos los derechos reservados.

簡介

感謝您購買 Pioneer DJ 產品。在使用本產品前，請務必閱讀「使用前請閱讀」。另請閱讀 Pioneer DJ 支援網站上的安裝及使用說明書（可利用以下 URL 和 QR 代碼存取）。請將安裝及使用說明書存放在安全的地方，以便隨時查閱。

<http://pioneerproaudio.com>



使用前請閱讀（重要）



警告

安裝

此揚聲器應由專業安裝人員進行安裝。

揚聲器可能有掉落的風險。請找具備充分技術及經驗的專業安裝人員安裝揚聲器。並建議由兩名以上的工作人員進行安裝。

Pioneer 對由於安裝或裝入時的缺失、誤用、修改和 / 或自然災害所導致的事務及損壞不承擔任何責任。

藉由懸掛在天花板或其他表面上來安裝揚聲器時，請先檢查安裝位置的強度及安裝方法，然後做好安全措施。

請務必做好多重安全措施，例如使用防墜纜線。

僅使用揚聲器附帶的配件。請勿將配件用於任何其他用途。

揚聲器可能有因掉落等緣由而發生事故與損壞的風險。

在安裝過程中，只有安裝揚聲器的工作人員才能靠近它。

如果零件掉落，會有受傷的風險。

使用環境

請勿在水可能會滲入或可能變潮濕的環境中使用揚聲器。

在接近雨、雪、海邊、水岸、浴室及淋浴間的地方使用揚聲器時要特別小心。有起火及觸電的風險。

請勿將揚聲器安裝在以下環境中。

- 有高濕氣或大量灰塵的通風不良位置。
- 有大量油煙的位置，例如廚房或工廠內。
- 不穩定的位置，例如會暴露於振動的位置或傾斜的位置。
- 使用易燃材料（例如酒精及噴霧殺蟲劑）的位置。
- 受發熱影響的位置，例如燈具或加熱器附近。
- 陽光直接曝曬到的位置及易受室外空氣影響的位置。

揚聲器有外殼變形或褪色以及故障的風險，在最糟的情況下可能導致火災或揚聲器墜落。

請在以下環境中使用揚聲器。

溫度：5°C 至 35°C

濕度：35% 至 65%（冬季） / 40% 至 70%（夏季）

使用方法

請勿將金屬或易燃物體插入揚聲器正面的孔中，並且不要讓這些物體掉入孔中。

如果金屬或易燃物體進入揚聲器，會有起火或觸電的風險。在有孩子的家中要特別小心。

請勿開啟或改裝揚聲器內部。

內部有高電壓組件，有起火及觸電的風險。請向經銷商洽詢有關檢測、保養及修理揚聲器內部的資訊。

請勿將小零件放在小孩拿得到的地方。

如果意外吞下了小零件，請立即就醫。

發生問題時的行動

如果發生問題，請立即停止使用揚聲器。

如果發生問題，例如煙霧、異常氣味或揚聲器因水或異物進入而損壞，請立即關閉所用擴大機的電源，然後申請修理。如果在出現問題時使用揚聲器，則存在起火及觸電的風險。



注意

安裝

將揚聲器連接到其他設備時，請關閉每件設備的電源。

仔細閱讀每件設備的使用說明書，並按照說明書中的說明連接設備。此外，使用指定的電線連接設備。有觸電的風險。

將揚聲器裝入天花板後檢查其穩定性。

安裝後立即檢測揚聲器。此外，定期檢查揚聲器的穩定性。

請勿在室外安裝揚聲器。

此揚聲器僅供室內使用。

小心別讓手指擠壓在彈簧加壓的天花板固定調整片內。

有受傷的風險。

使用方法

請勿在以下狀態下使用揚聲器。

- 請勿超過允許的輸入功率。
 - 如果使用圖形等化器大幅增強高音，則請勿將音量調太大聲。
 - 請勿使用低輸出功率擴大機強制揚聲器發出巨大的聲音。
 - 當聲音失真時，請勿長時間使用揚聲器。
- 揚聲器可能會受損，導致發熱及起火。

在開啟電源及變更連接之前，先將音量調至最低。

如果揚聲器突然發出巨大的聲音，則有聽力受損和其他問題的風險。

請勿長時間以高音量聆聽揚聲器。

有聽力受損的風險。

©2019 Pioneer DJ Corporation。版權所有。

はじめに

このたびは Pioneer DJ の製品をお買い上げいただきまして、まことにありがとうございます。お使いになる前に「ご使用前に」を必ずお読みください。また、下記の URL と QR コードからご参照いただける Pioneer DJ サポートサイトにて据付・取扱説明書をお読みいただけます。据付・取扱説明書は後々お役に立つこともありますので大事に保存してください。

<http://pioneerproaudio.com>



ご使用前に（重要）

安全上のご注意

- 安全にお使いいただくために、必ずお守りください。
- ご使用前にこの「安全上のご注意」をよくお読みのうえ、正しくお使いください。

この取扱説明書および製品には、製品を安全に正しくお使いいただき、あなたや他の方々への危害や財産への損害を未然に防止するために、いろいろな絵表示をしています。その表示と意味は次のようになっています。内容をよく理解してから本文をお読みください。



警告

この表示を無視して、誤った取り扱いをすると、人が死亡または重傷を負う可能性が想定される内容を示しています。



注意

この表示を無視して、誤った取り扱いをすると、人が損害を負う可能性が想定される内容および物的損害のみの発生が想定される内容を示しています。

絵表示の例



△ 記号は注意（警告を含む）しなければならない内容であることを示しています。

図の中に具体的な注意内容（左図の場合は感電注意）が描かれています。



○ 記号は禁止（やってはいけないこと）を示しています。

図の中や近くに具体的な禁止内容（左図の場合は分解禁止）が描かれています。



● 記号は指示（必ず実行すること）を示しています。



警告

設置



必ず実行

本機の設置は専門業者に依頼する。

落下の原因となるため十分な技術・技能を有する専門業者に依頼してください。また、複数人での作業をお勧めします。なお、据え付け・取り付けの不備、誤使用、改造、天災などによる事故損傷について、弊社は一切責任を負いません。



必ず実行

天井等に吊り下げて設置する際は、設置場所の強度や設置方法を確認の上、安全処置を行う。

落下防止用ワイヤー等による二重の安全処置を必ず行ってください。



禁止

付属品は本機に同梱されたもののみを使用し、他の用途に使用しない。

落下等の事故損傷の原因となります。



必ず実行

設置時に作業員以外を近づけない。

部品落下時にケガをする原因となります。

使用環境



禁止

水が入ったり、ぬれたりする環境では使用しない。

雨天、降雪中、海岸、水辺、風呂場、シャワー室での使用は特にご注意ください。火災や感電の原因となります。



禁止

次のような場所に設置しない。

- ・風通しが悪く、湿気やほこりの多い場所
 - ・調理室や工場内など油煙の多い場所
 - ・振動や傾斜のある、不安定な場所
 - ・アルコール類やスプレー式の殺虫剤など、引火性のものを使用する場所
 - ・照明器具の間近や暖房器具の近くなど、発熱の影響を受ける場所
 - ・直射日光の当たる場所や、外気の影響を受けやすい場所
- エンクロージャーの変形、変色およびスピーカーが故障する原因になり、最悪は発火や落下などにつながる恐れがあります。以下の環境でお使いください。
- 温度：5℃～35℃
湿度：35%～65%（冬期）/ 40%～70%（夏期）



禁止

本機の内部を開けたり、改造したりしない。

内部には電圧の高い部分があり、火災・感電の原因となることがあります。内部の点検・整備・修理は販売店にご依頼ください。



禁止

幼児の手の届くところに小さな部品を置かない。

万一飲み込んだ場合には、ただちに医師と相談してください。

使用方法



禁止

本機の前面の穴などに、金属類や燃えやすいものなどを差し込んだり、落としたりしない。

本機の内部に金属類や燃えやすいものなどが入った場合、火災・感電の原因となることがあります。特にお子様のいるご家庭ではご注意ください。



必ず実行

異常が起こったらすぐに使用を中止する。

煙が出る、異臭がする、水や異物が入った、破損した等の異常が起きたときは、直ちに使用しているアンプの電源を切り、修理を依頼してください。異常状態のまま使用すると、火災や感電の原因となります。

注意

設置



必ず実行

他の機器と接続する際は、それぞれの機器の電源を切る。

それぞれの機器の取扱説明書をよく読み、説明に従って接続してください。また、接続は指定のコードを使用してください。感電の原因となることがあります。



必ず実行

天井へ取り付けた後は安全性を確認する。

取り付けを行った直後は点検を行ってください。また、定期的に安全性を確認してください。



禁止

屋外に設置しない。

本機は屋内専用製品です。



指のケガに注意

スプリング式の天井固定タブに指を挟まないように注意する。

ケガの原因となります。

使用方法



禁止

下記の状態で使わない。

- ・許容入力以上を入力しない。
- ・グラフィックイコライザーで高音を大幅に増強する場合、音量を上げすぎない。
- ・小出力なパワーアンプで無理に大きな音を出さない。
- ・音が歪んだ状態で長時間使わない。
- ・スピーカーを破損したり、発熱や火災の原因になります。



必ず実行

電源を入れる前や、接続を変更する前は音量を最小にする。

突然大きな音が出て聴力障害などの原因となることがあります。



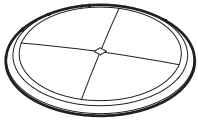
禁止

大きい音量で長時間聞かない。

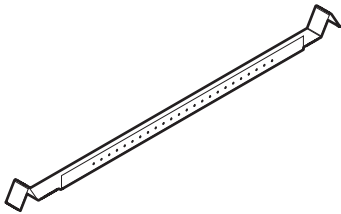
聴力障害の原因になることがあります。

付属品を確認する

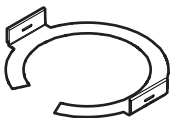
- パネル × 2



- タイルブリッジ × 4



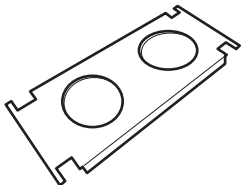
- Cリング × 2



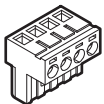
- Cリング固定用ネジ × 4



- 天井穴開け用テンプレート × 1



- 4P ユーロブロックコネクタ × 2
* 出荷時、本体端子に装着されています。



- 据付・取扱説明書（本書） × 2



* スピーカーケーブルおよび落下防止用ワイヤーは付属しておりません。

設置と接続

⚠ 注意

- 傾いた天井には取付を行わないでください。
- 最大対応線径：12 AWG
- 最小対応線径：22 AWG
- 設置する天井に十分な強度や必要な厚みがあるか確認してください。厚みが適合しても、天井板の耐荷重については別途確認が必要です。対応天井厚み：6～20 mm
- Cリングは補強ではなく安全機構です。弱い天井に取り付けた場合には長期的に天井がたわむ可能性があります。
- スピーカーの出力で天井が共振し音質を損ねるため、天井は十分な補強を行ってください。
- スピーカーの振動板に触れないように注意してください。

天井に穴を開ける

- 付属のテンプレートを天井にあて、開口のための線を描きます。またはホールカッターを使用し、天井に取付穴をあけます。

穴寸法

CM-C56T: φ 226 mm

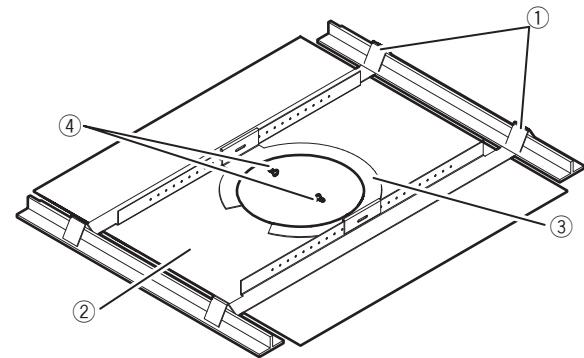
CM-C54T: φ 187.5 mm

⚠ 注意

破片や粉などが目に入らないように、安全ゴーグルを装着してください。

タイルブリッジとCリングを設置する

- 1 2本のタイルブリッジ①を天井②に入れ、図の向きに置きます。
 - 2 Cリング③を図のように天井②の開口部に合わせ、タイルブリッジにはめ込み、ネジ④でCリングをタイルブリッジに固定してください。
- 締め付けトルク：1 N・m

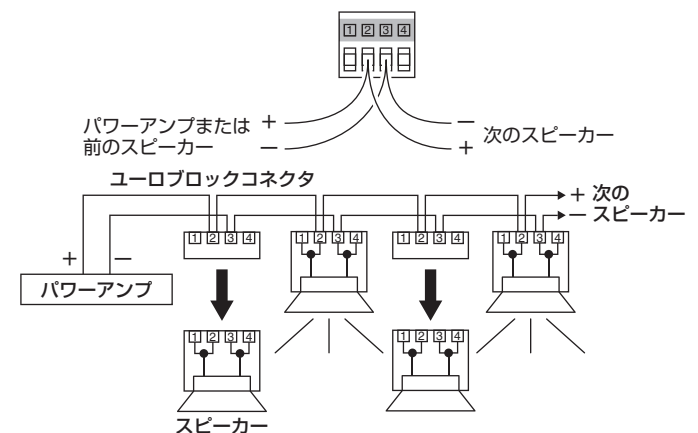


接続

本機とパワーアンプや他のスピーカーとの接続の方法を説明します。本機のコネクタは4つの端子から構成されており、端子1はループスルー端子の「+」、端子2は「+」、端子3は「-」、端子4はループスルー端子の「-」です。端子1と端子2、端子3と端子4は、スピーカーの内部で繋がっています。

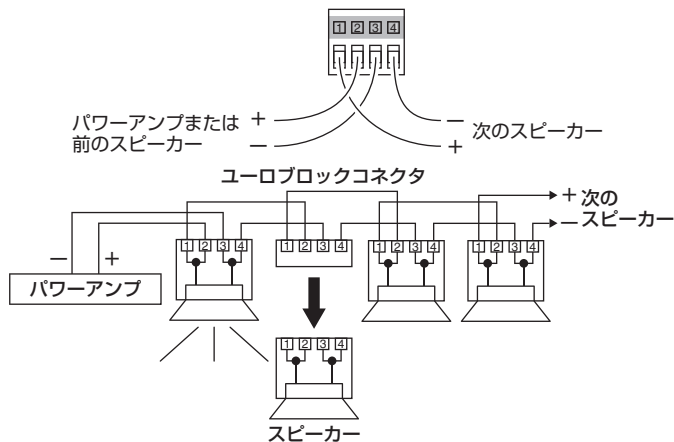
並列接続

あるスピーカーにトラブルが生じた場合でも、他のスピーカーは正常に動作します。次のスピーカーへのケーブルを、下図のように前のスピーカーからのケーブルと同じ端子に接続します。



ループスルー接続

どのスピーカーにトラブルが発生したのかが特定しやすい接続方法です。ユーロブロックコネクタがスピーカーから外れると、それ以降のスピーカーは動作しなくなります。前のスピーカーからのケーブルをINの「+」(2端子)と「-」(3端子)につなぎ、次のスピーカーへのケーブルをループスルーの「+」(1端子)と「-」(4端子)に接続する方法です。

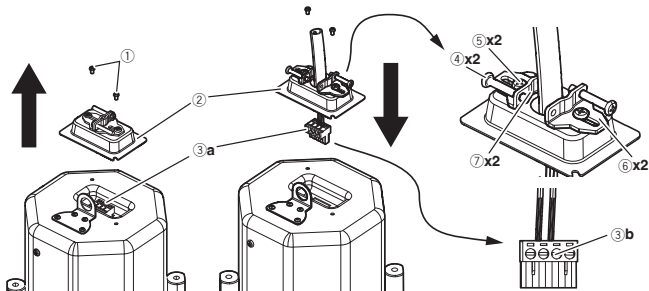


- 1 ネジ①を緩めコネクタカバー②を外し、背面コネクタからユーロブロックコネクタ③aを取り外します。
- 2 スピーカーケーブル先端の被覆を7mm(0.28 inch)程度剥き、ネジ④⑤を緩めてコードブッシング⑥を開き、そこにスピーカーケーブルを通します。
- 3 スピーカーケーブルの芯線をユーロブロックコネクタの各端子に挿入してネジ③bを締めて固定し、ユーロブロックコネクタ③aを背面コネクタに挿入します。

注意

スピーカーケーブルの芯線をしっかりねじり、芯線同士が接触しないように注意してください。本機やパワーアンプの故障の原因となります。

- 4 ネジ①を締めコネクタカバー②を固定します。
- 5 スピーカーケーブルがコードブッシング⑥の溝⑦に収まるようにネジ④、ネジ⑤の順番に締めます。

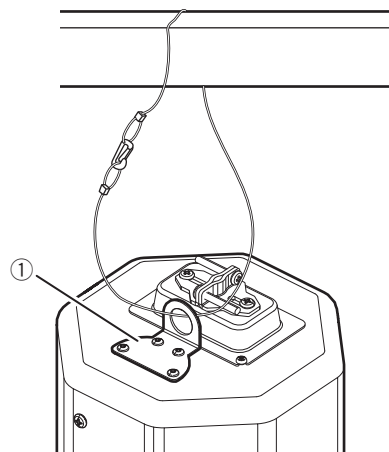


注意

コードブッシング⑥の平らな部分でスピーカーケーブルを挟まないように注意してください。

落下防止用ワイヤーを取り付ける

- 金具①に落下防止ワイヤー(施工業者にて調達)を取り付け、他方を天井の躯体に固定してください。

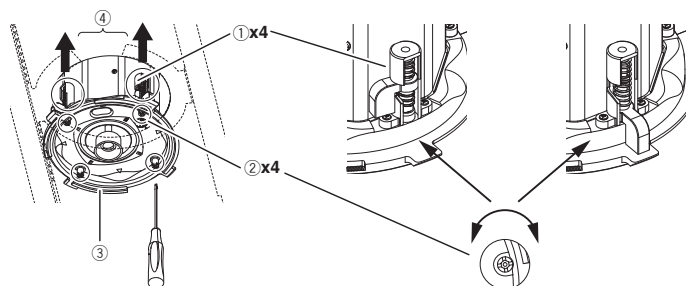


注意

必ず落下防止対策を施してください。落下防止用ワイヤーはスピーカーの重量、設備状況を考慮して適切な長さや強度のものを使ってください。長すぎると、落下時に人に当たる可能性があります。

天井に固定する

- 1 天井固定タブ①が収納されているか確認してください。収納されていない場合は、スピーカー前面の固定ネジ②をプラスドライバーで奥まで押し、反時計回りに回転させて天井固定タブを収納してください。
- 2 本機をスピーカー前面の縁③が天井に密着するまで押し上げてください。
- 3 プラスドライバーで固定ネジ②を押し込み、時計回りに回して4点の天井固定タブ①を動作させ、天井板を挟み込ませてください。

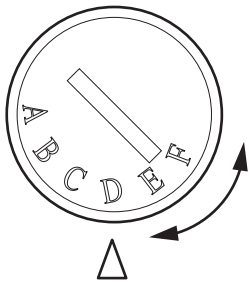


注意

- 天井固定タブ①が本機の外側に出て、天井板を確実に挟んでいることを確認してください。不十分の場合、天井からの落下の原因となる可能性があります。
- 固定ねじ②以外を回さないでください。スピーカーユニットの落下や故障の原因となります。
- 天井固定タブ①をCリング④の切れ目で固定しないでください。
- スピーカー前面の縁③や天井固定タブ①でスピーカーケーブルを挟まないように注意してください。

入力選択を設定する

- 1 本体前面の入力選択スイッチを△マークに合わせます。
- 2 イラストは、CM-C56T で 100V ライン接続時に 60 W、70 V ライン接続時に 30 W となる設定を表しています。



	CM-C56T		CM-C54T	
	100 V	70 V	100 V	70 V
A	16 Ω	60 W	16 Ω	30 W
B	OFF			
C	---	60 W	---	30 W
D	60 W	30 W	30 W	15 W
E	30 W	15 W	15 W	7.5 W
F	15 W	7.5 W	7.5 W	3.7 W

⚠ 注意

- ・ A の位置は、ローインピーダンスアンプと組み合わせるときだけ合わせてください。設定を間違えるとスピーカーやパワーアンプが故障する原因になります。
- ・ パワーアンプの電源を落としてから作業してください。

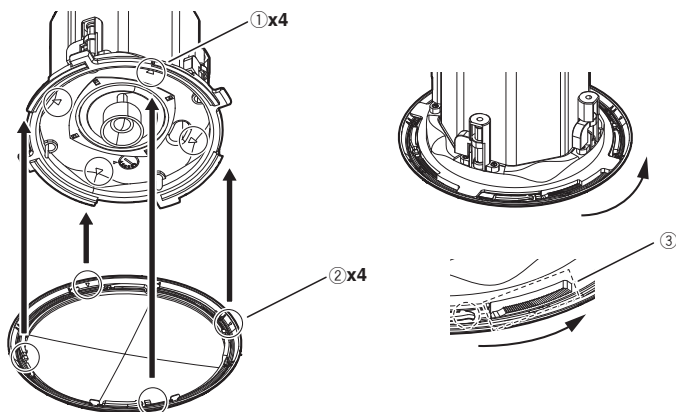
パネルを取り付ける

- 1 本体前面の△マーク①と、パネル裏面の△マーク②の位置を合わせてはめ込み、時計回りに押し回してください。

⚠ 注意

はめ込みが不十分だとパネルが落下する原因になります。セレーション③に噛むまでしっかりパネルを回してください。

- 2 セレーション③の音をする範囲でパネルを固定します。
- 3 パネルを外す場合は、反時計回りに回転させてください。



その他

保証とアフターサービス

修理に関するご質問、ご相談

P.32 に記載の修理受付窓口、またはお買い求めの販売店にご相談ください。

保証書 (P.33 に記載)

保証書は必ず「販売店名・購入日」などの記入を確かめて販売店から受け取り、内容をよく読んで大切に保管してください。

保証期間は購入日から 5 年間です。

次のような場合には保証期間中および保証期間経過後にかかわらず、性能、動作の保証をいたしません。また、故障した場合の修理についてもお受けいたしかねます。

- 本機を改造して使用した場合
- 不正使用や使用上の誤りの場合
- 他社製品や純正以外の付属品と組み合わせて使用したときに、動作異常などの原因が本機以外にあった場合。

故障、故障の修理その他にともなう営業上の機会損失（逸失利益）は保証期間中および保証期間経過後にかかわらず補償いたしかねますのでご了承ください。

補修用性能部品の最低保有期間

当社はこの製品の補修用性能部品を製造打ち切り後、8 年間保有しています。性能部品とは、その製品の機能を維持するために必要な部品です。

修理を依頼される時

修理をご依頼される場合は、必ずアンプの電源を切ってから、修理を依頼してください。①型名②ご購入日③故障症状を具体的にご連絡ください。

連絡していただきたい内容

- ご住所
- お名前
- お電話番号
- 製品名：天井埋込用スピーカー
- 型番：CM-C56T-W / CM-C56T-K / CM-C54T-W / CM-C54T-K
- お買い上げ日
- 故障または異常の内容
- 「いつ、どのくらいの頻度で、どのような操作で、どうなる」といった詳細
- 訪問ご希望日
- 訪問先までの道順と目標（建物、公園など）

保証期間中は

修理に際しましては、保証書をご提示ください。保証書に記載されている弊社保証規定に基づき修理いたします。

保証期間を過ぎているときは

修理すれば使用できる製品については、ご希望により有料で修理いたします。

免責事項について

- Pioneer DJ はパイオニア株式会社の登録商標です。
- その他記載されている会社名および製品名等は、各社の登録商標または商標です。
- お客様がご用意した音楽ファイルを本機で再生するときは、その著作権を守ったうえでご利用いただけますようお願いいたします。

© 2019 Pioneer DJ 株式会社 禁無断転載

<各窓口へお問い合わせ時のご注意>

「0120」で始まる電話番号は、携帯電話・PHS・一部のIP電話などからはご使用になれません。

ナビダイヤルは、携帯電話・PHSなどからご利用可能ですが、通話料がかかります。また一部のIP電話などからはご使用になれません。

正確なご相談対応のために折り返しお電話をさせていただくことがございますので発信者番号の通知にご協力いただきますようお願いいたします。

商品についてのご相談窓口 ※番号をよくお確かめの上でおかけいただけますようお願いいたします

Pioneer DJ商品の取り付け・組み合わせなどについては、お買い求めの販売店様へお問い合わせください。

- 商品のご購入や取り扱い、故障かどうかのご相談窓口およびカタログのご請求について

Pioneer DJ サポートセンター

受付時間 月曜～金曜9:30～18:00（祝日・弊社休業日は除く）

- 電話 【固定電話から】 **0120-545-676（無料）**
【携帯電話・PHSから】 **0570-057-134（ナビダイヤル・有料）**
- ファックス **0570-057-135（ナビダイヤル・有料）**
- インターネットホームページ pioneerdj.com/support/
※商品についてよくあるお問い合わせ、ソフトウェアダウンロードなど

修理についてのご相談窓口 ※番号をよくお確かめの上でおかけいただけますようお願いいたします

修理をご依頼される場合は、取扱説明書の『設置と接続』を一度ご覧になり、故障かどうかご確認ください。それでも正常に動作しない場合は、①型名②ご購入日③故障症状を具体的に、ご連絡ください。

修理受付窓口

受付時間 月曜～金曜9:30～18:00（祝日・弊社休業日は除く）

- 電話 【固定電話から】 **0120-5-81028（無料）**
【携帯電話・PHSから】 **0570-037-610（ナビダイヤル・有料）**
- ファックス **0120-5-81029（無料）**
- インターネットホームページ jpn.pioneer/ja/support/purpose/repair/
※インターネットによる修理のお申し込みを受け付けております

部品のご購入についてのご相談窓口 ※番号をよくお確かめの上でおかけいただけますようお願いいたします

- 部品（付属品、取扱説明書など）のご購入について

部品受注センター

受付時間 月曜～金曜9:30～18:00（祝日・弊社休業日は除く）

- 電話 【固定電話から】 **0120-5-81095（無料）**
【携帯電話・PHSから】 **0570-057-140（ナビダイヤル・有料）**
- ファックス **0120-5-81096（無料）**

商品相談・修理受付・付属品購入窓口のご案内

～お取り扱いにお困りのとき、前項をご覧ください。

Pioneer Dj 音響映像機器保証書

出張修理

機種	CM-C56T-W / CM-C56T-K CM-C54T-W / CM-C54T-K	
お客様	お名前	様
	ご住所 〒	
	電話番号 ()	
お買い上げ日	取扱販売店名・住所・電話番号	
年 月 日		
保証期間(お買い上げ日より)		
本体	5 年	

本書は、本書記載内容で無料修理を行うことをお約束するものです。

- お客様へお願い
お手数ですが、ご住所、お名前、電話番号をわかりやすくご記入ください。
お客様にご記入いただいた保証書は、保証期間内のサービス活動及びその後の安全点検活動のために記載内容を利用して頂く場合がございますので、ご了承ください。
- ご販売店様へ
お買い上げ日、貴店名、住所、電話番号を記入のうえ、保証書をお客様へお渡しください。

Pioneer DJ 株式会社

〒220-0012
神奈川県横浜市西区みなとみらい4丁目4番5号
横浜アイマークプレイス6階
お問合せ先： Pioneer DJ サポートセンター
0120-545-676

〈 無料修理規定 〉

- 取扱説明書、本体貼付ラベル等の注意にしたがった使用状態で故障した場合には、お買い上げの販売店または弊社が無料修理いたします。
- 保証期間内に故障して無料修理をお受けになる場合には、お買い上げの販売店にご依頼ください。その際には本書をご提示ください。なお、離島及び離島に準ずる遠隔地への出張修理を行った場合には、出張に要する実費を申し受けます。
- ご転居、ご贈答品等で本保証書に記入してあるお買い上げの販売店に修理が依頼できない場合には、パイオニア修理受付窓口（取扱説明書をご参照）へご相談ください。
- 保証期間内でも次の場合には有料修理になります。
 - 使用上の誤りまたは不当な修理や改造による故障および損傷
 - お買い上げ後の取付場所の移動、落下等による故障および損傷
 - 火災、地震、水害、落雷その他の天災地変、公害、塩害、異常電圧、水掛り等による故障および損傷
 - 消耗品(各部ゴム、電池、ピックアップ、スピンドルモーター、スライダモーター等)の交換
 - 本書の提示がない場合
 - お買い上げの年月日、販売店が確認できない場合
 - 本書のお買い上げの年月日、お客様名、販売店名を書き換えた場合
 - 故障の原因が本製品以外の他社製品にある場合
 - 劣悪な設置条件（油煙、熱、塵、水、直射日光等）にて使用し故障した場合

- 本書は日本国内においてのみ有効です。
This warranty is valid only in Japan.
- 本書は再発行いたしませんので紛失しないように大切に保管してください。
- その他
 - 故障その他による営業上の機会損失（逸失利益）は補償いたしませんのでご了承ください。
 - 高技術製品は持ち帰り修理になる場合があります。
 - 特殊なセッティング(配線の引回し、棚の設置等)、「取付業者指定商品」の取付け取外しは専門の工事店にご依頼ください。

修理メモ

※この保証書は、本書に明示した期間、条件のもとにおいて無料修理をお約束するものです。したがってこの保証書によって保証書を発行している者（保証責任者）、及びそれ以外の事業者に対するお客様の法律上の権利を制限するものではありません。保証期間経過後の修理等についてご不明の場合は、お買い上げの販売店にお問い合わせください。
※保証期間経過後の修理、補修用性能部品の保有期間について詳しくは取扱説明書をご覧ください。

Additional Information

Informations supplémentaires

Дополнительная информация

Specifications

	CM-C56T	CM-C54T
Type	Coaxial two-way passive full-range loudspeaker	
Frequency response (- 10 dB, Typical)	82 Hz to 20 kHz	85 Hz to 20 kHz
Dispersion	90 °	120 °
Sensitivity (1 W / 1 m)	88 dB	86 dB
Maximum SPL*1	105 dB	100 dB
Nominal Impedance	16Ω (Bypass setting)	
Power Handling (RMS*2 / Program)	60 W / 120 W	30 W / 60 W
Transformer taps	70 V	30 W / 15 W / 7.5 W / 3.7 W
	100 V	60 W / 30 W / 15 W
Driver configuration	LF	6.5-inch (165-mm) cone
	HF	3/4-inch (20-mm) dome tweeter
Connector	Euroblock (4 pin) × 1 (input: +/-, loop-thru: +/-)	
Enclosure	Backcan : Steel, Baffle : PC-ABS(UL94-V0)	
Panel	Grill : Steel, Frame : PC-ABS(UL94-V0)	
Color	CM-C56T-W / CM-C54T-W: White, CM-C56T-K / CM-C54T-K: Black	
Dimensions (φ x H)	278 x 211 mm (10.94 x 8.31 inches)	240 x 210 mm (9.45 x 8.27 inches)
Ceiling Cutout Size	φ 226 mm (8.90 inches)	φ 187.5 mm (7.38 inches)
Ceiling Thickness	6 to 20 mm (0.24 to 0.79 inches)	
Weight (1 pc)	3.5 kg	2.6 kg

*1 Calculated from the power handling and sensitivity

*2 Pink noise: IEC 60268-5: 2003+A1: 2007

Spécifications

	CM-C56T	CM-C54T
Type	Haut-parleur large bande passif bidirectionnel coaxial	
Réponse en fréquence (- 10 dB, type)	82 Hz à 20 kHz	85 Hz à 20 kHz
Dispersion	90 °	120 °
Sensibilité (1 W/1 m)	88 dB	86 dB
Maximum SPL *1	105 dB	100 dB
Impédance nominale	16 Ω (réglage de dérivation)	
Gestion de l'alimentation (RMS*2 / Programme)	60 W / 120 W	30 W / 60 W
Robinets de transformateur	70 V	30 W / 15 W / 7,5 W / 3,7 W
	100 V	60 W / 30 W / 15 W
Configuration du pilote	Basse fréquence	Cône de 6,5 pouces (165 mm)
	Haute fréquence	Tweeter à dôme de 3/4 de pouce (20 mm)
Connecteur	Euroblock (4 broches) × 1 (entrée : +/-, boucle : +/-)	
Enceinte	Backcan : acier, déflecteur : PC-ABS (UL94-V0)	
Panneau	Gril : acier, cadre : PC-ABS (UL94-V0)	
Couleur	CM-C56T-W / CM-C54T-W: Blanc, CM-C56T-K / CM-C54T-K: Noir	
Dimensions (φ x H)	278 x 211 mm	240 x 210 mm
Taille de découpe de plafond	φ 226 mm	φ 187,5 mm
Épaisseur de plafond	6 à 20 mm	
Poids (1 pc)	3,5 kg	2,6 kg

*1 Calculé à partir de la tenue en puissance et de la sensibilité

*2 Bruit rose : CEI 60268-5:2003+A1: 2007

Технические характеристики

		CM-C56T	CM-C54T
Тип		коаксиальный двусторонний пассивный полнодиапазонный динамик	
Частотная характеристика (-10 дБ, стандартное значение)		82 Гц до 20 кГц	85 Гц до 20 кГц
Дисперсия		90 °	120 °
Чувствительность (1 Вт/1 м)		88 дБ	86 дБ
Максимальный УЗД *1		105 дБ	100 дБ
Номинальное сопротивление		16 Ом (настройка обхода)	
Коммутируемая мощность (действующее значение *2/ программное)		60 Вт / 120 Вт	30 Вт / 60 Вт
Отводы трансформатора	70 В	60 Вт / 30 Вт / 15 Вт / 7,5 Вт	30 Вт / 15 Вт / 7,5 Вт / 3,7 Вт
	100 В	60 Вт / 30 Вт / 15 Вт	30 Вт / 15 Вт / 7,5 Вт
Конфигурация задающего устройства	НЧ	конус 165 мм	конус 102 мм
	ВЧ	высокочастотный динамик с купольной мембраной 20 мм	высокочастотный динамик с купольной мембраной 20 мм
Разъем		«евроблок» (4 контакта), 1 шт. (вход: +/-, сквозное: +/-)	
Корпус		Задний колпак: сталь, крышка: ПК/АБС (UL94-V0)	
Панель		Решетка: сталь, рамка: ПК/АБС (UL94-V0)	
Цвет		CM-C56T-W / CM-C54T-W: белый, CM-C56T-K / CM-C54T-K: черный	
Габариты (диаметр × высота)		278 × 211 мм	240 × 210 мм
Размер отверстия в потолке		φ 226 мм	φ 187,5 мм
Толщина потолка		6 до 20 мм	
Масса (1 шт.)		3,5 кг	2,6 кг

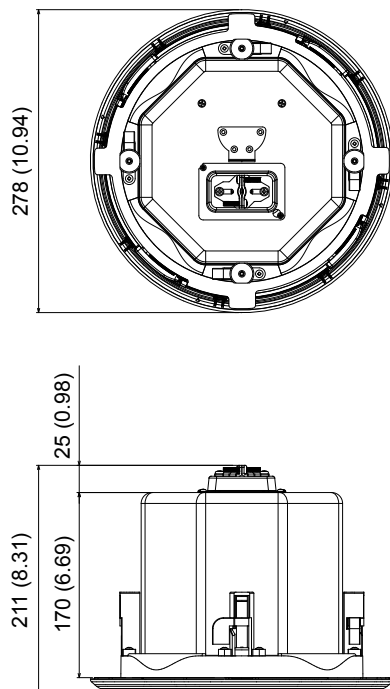
*1 Рассчитано исходя из коммутируемой мощности и чувствительности

*2 Розовый шум : IEC 60268-5: 2003+A1: 2007

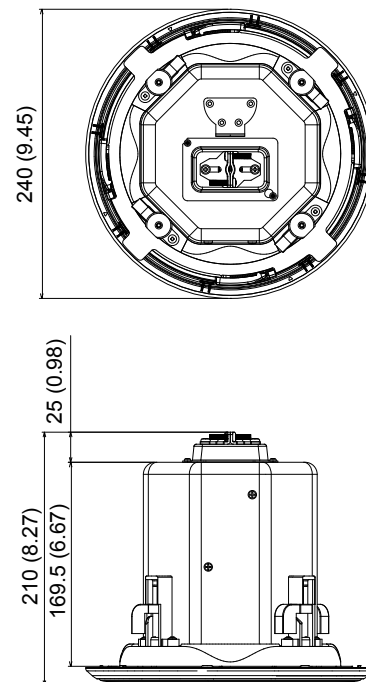
Dimensional Drawings Plans d'encombrement Масштабные чертежи

(Unit : mm (inches))
(Unité : mm (pouces))
(Единицы измерения: мм (дюймы))

CM-C56T



CM-C54T



© 2019 Pioneer DJ Corporation. All rights reserved.
© 2019 Pioneer DJ Corporation. Tous droits de reproduction et de traduction réservés.

Pioneer DJ Corporation

6F, Yokohama i-Mark Place, 4-4-5 Minatomirai, Nishi-ku, Yokohama, Kanagawa 220-0012 JAPAN

Pioneer DJ 株式会社

〒220-0012 神奈川県横浜市西区みなとみらい4丁目4番5号 横浜アイマークプレイス6階

Корпорация Пайонир Диджей

6F, Йокогама i-Mark Place, 4-4-5 Минатомирай, Ниси-ку, Йокогама, Канагава 220-0012 ЯПОНИЯ

Pioneer DJ Europe Limited

Artemis Building, Odyssey Business Park, West End Road, South Ruislip, Middlesex, HA4 6QE, U.K. TEL: +44-203-7617-220

Pioneer DJ Americas, Inc.

2050 W. 190th Street, Suite 109, Torrance, CA 90504, U.S.A. TEL: +1 (424) 488-0480

PIONEER ELECTRONICS ASIACENTRE PTE. LTD.

2 Jalan Kilang Barat, #07-01, Singapore 159346 TEL: +65-6378-7888

PIONEER ELECTRONICS AUSTRALIA PTY. LTD.

5 Arco Lane, Heatherton, Victoria, 3202, Australia, TEL: +61-3-9586-6300

PIONEER ELECTRONICS (THAILAND) CO., LTD.

17th Fl., KPN Tower, 719 Rama 9 Road, Bangkok, Huaykwang, Bangkok 10310

TEL: +66-2-717-0777

PIONEER TECHNOLOGY (MALAYSIA) SDN. BHD

16th Floor, Menara Uni. Asia 1008 Jalan Sultan Ismail 50250 Kuala Lumpur

TEL: +60-3-2697-2920

先鋒股份有限公司

台灣台北市內湖區瑞光路 407 號 8 樓 TEL: +886-(0)2-2657-3588

先鋒電子（香港）有限公司

香港九龍長沙灣道 909 號 5 樓 TEL: +852-2848-6488

PIONEER ELECTRONICS DE MEXICO S.A. DE C.V.

Blvd. Manuel Avila Camacho 138 10 piso Col. Lomas de Chapultepec, Mexico, D.F. 11000 TEL: +52-55-9178-4270

PIONEER INDIA ELECTRONICS PRIVATE LTD.

216, Second Floor, Time Tower, M.G. Road, Sector 28, Gurgaon 122001, Haryana, India TEL: +91-124-463-6100

PDJ_001_all

Сделано в Китае
Printed in China/Imprimé en Chine

<DRC1420-A>