



XY-122

XY Series

12-inch two-way loudspeaker

A versatile PA/monitor speaker series that is compact in size and perfect for near-field monitoring - yet can deliver high-quality sound to the corners of the room. Boasts multiple rigging options for easy set up.

KEY FEATURES

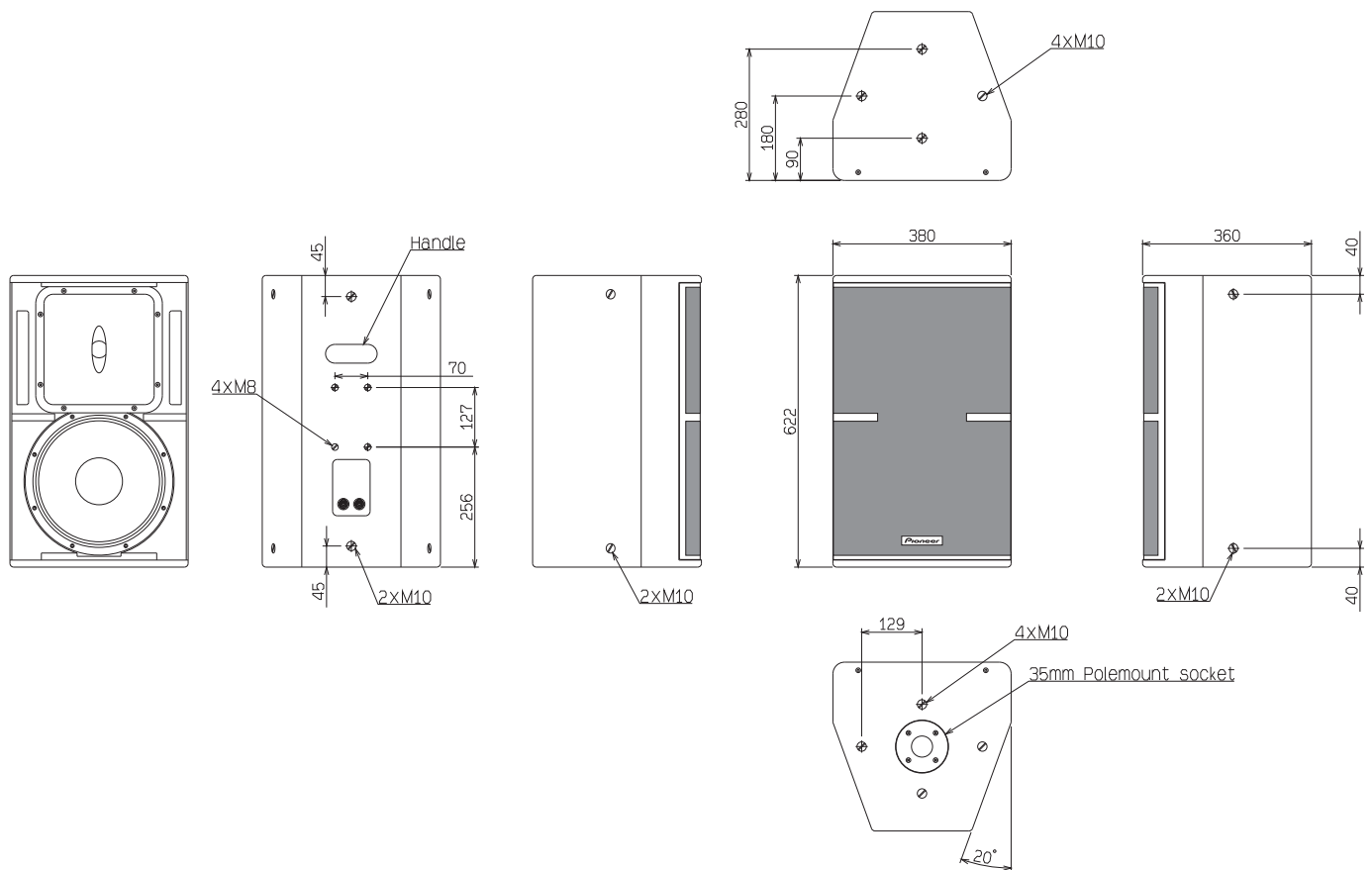
- Two-way full range speaker with 12-inch LF driver and a 1.4-inch compression driver.
- Passive crossover board features separate cooling zones to ensure safe and continuous operations in the toughest environments.
- Wide dispersion of 90 × 60 degrees, with rotatable horn for horizontal installation.
- Designed for fixed and mobile applications, with a wide array of flying options.
- Features top hats for quick set-up.
- NL4 INPUT and LINK OUT connections as standard.
- Robust enclosure made from premium multi-laminate birch plywood.
- Impact resistant textured paint finish.

SPECIFICATIONS

Enclosure type	Two-way passive, reflex-loaded
Frequency response	70 Hz to 20 kHz
Sensitivity (1 W/1 m)	101 dB
Nominal Impedance	8 Ω
Power Handling	400 W RMS, 800 W Program
Maximum SPL	127 dB cont., 133 dB peak
Dispersion	90 °H × 60 °V, Rotatable
Driver Configuration	12 inch (320 mm) neodymium LF cone driver, 1.4 inch (36 mm) exit neodymium HF compression driver
Crossover	Asymmetric internal passive crossover
Connectors	2 × Neutrik SpeakON™ NL4
Dimensions (W × H × D)	380 mm × 622 mm × 360 mm (15 inch × 24.5 inch × 14.2 inch)
Weight	23 kg (50.7 lbs)
Rigging and Hardware	8 × M10 threaded mounting points (4 top/4 bottom), 2 × M10 threaded mounting points on rear, 4 × M10 threaded mounting points on side (2 left/2 right), 4 × M8 threaded points on rear (for wall mount bracket), 1 × flush handle on rear, 1 × 35 mm polemount socket
Grille	Hex punched steel
Enclosure	15 mm (0.6 inch) birch plywood
Finish	Impact-resistant, Black semi-matt textured
Suggested Power Amplifier	Recommended : K3DSP Minimum : M30DH DSP
Accessories	polemount socket cover (-W model only)

XY-122

TECHNICAL DRAWING



APPLICATION

Clubs / Bars / Hotels / Touring

ACCESSORIES

